

F I T E S O L

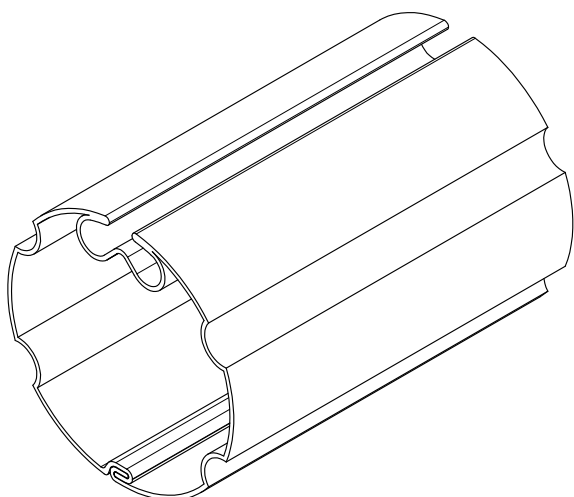
Forniture Industriali per Tende da Sole

Catalogue

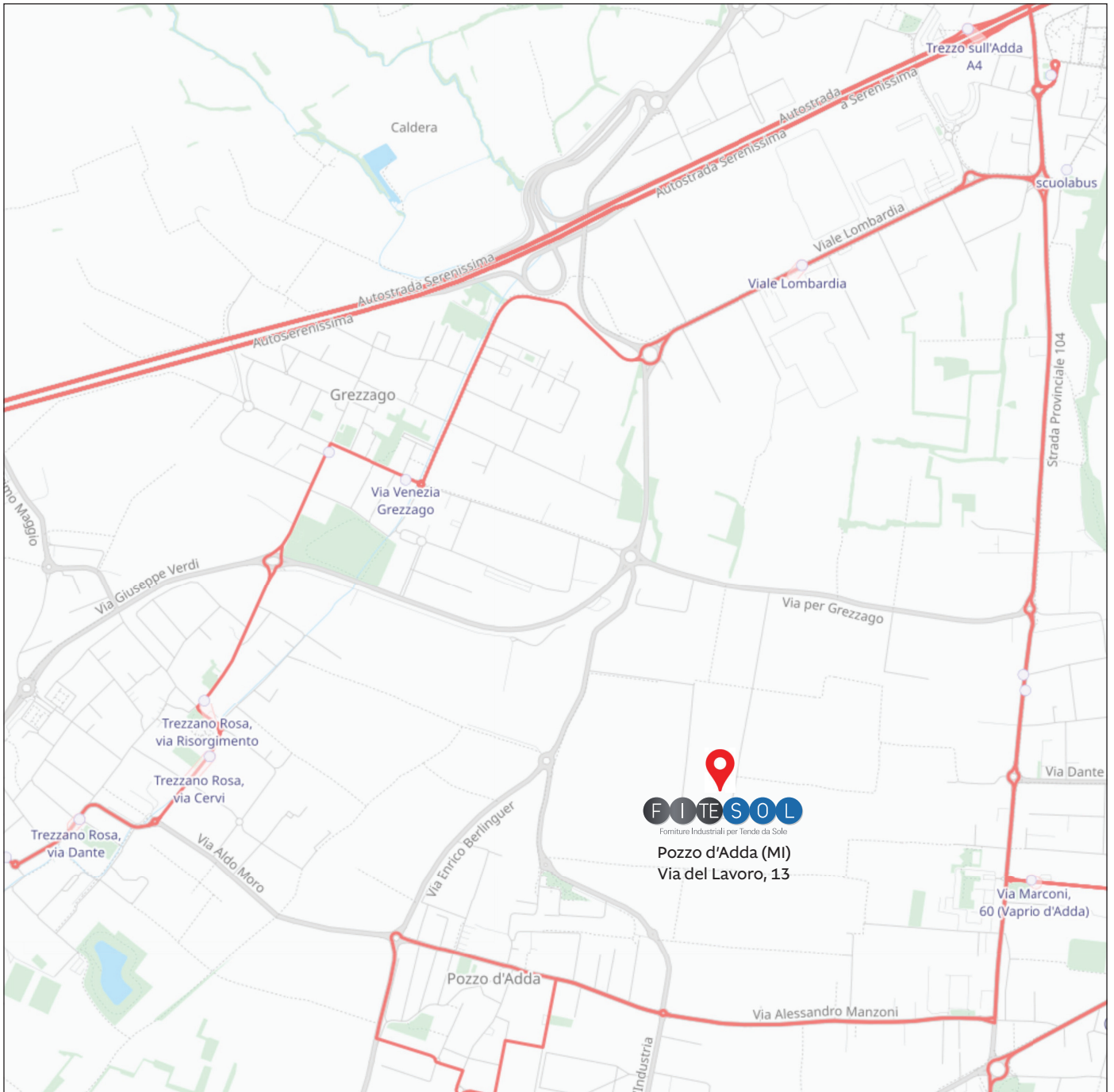
F.I.TE.SOL. srl
Industrial Supplies for Awnings
20060 Pozzo d'Adda (MI) – Via del Lavoro, 13
Tel. 02 90968573
www.fitesol.com – fitesol@fitesol.com
CF e P. Iva 10205830150
CCIAA MI 1357724 – Trib. MI n. 312010

Contents

About us	4
Winding rollers	6
Caps	13
Adjustable caps	19
Double ogive windings rollers Patent F.I.TE.SOL.	23
Double ogive caps	25
Adjustable double ogiva caps	27
Caps with bearings and bushings	28
Double ogive reduction rings for motors	29
Double ogive zip caps	32
Double ogive zip reduction rings for motors	36
Crank handles	40
Winches	43
Accessories for canopies and free-hanging awnings	45
Accessories for canopies	46
Accessories for free-hanging awnings	48
Clearing springs	52
Square bars	54



Where to find us



Railroad A4 Milano-Bergamo, exit Trezzo sull'Adda

About us

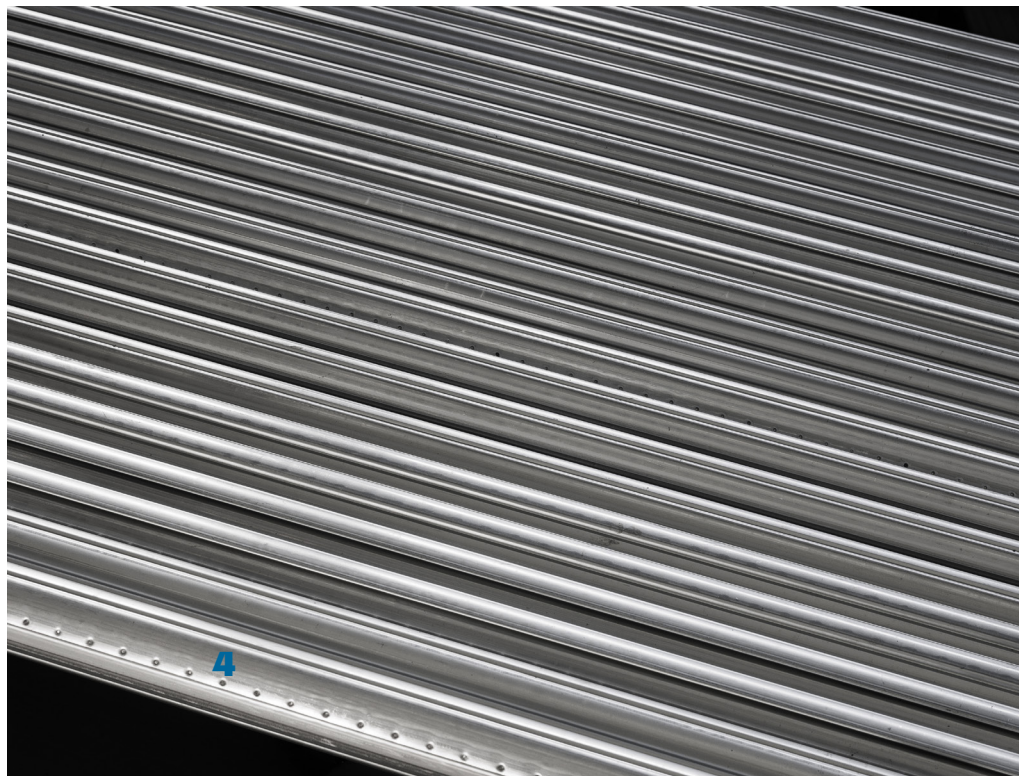
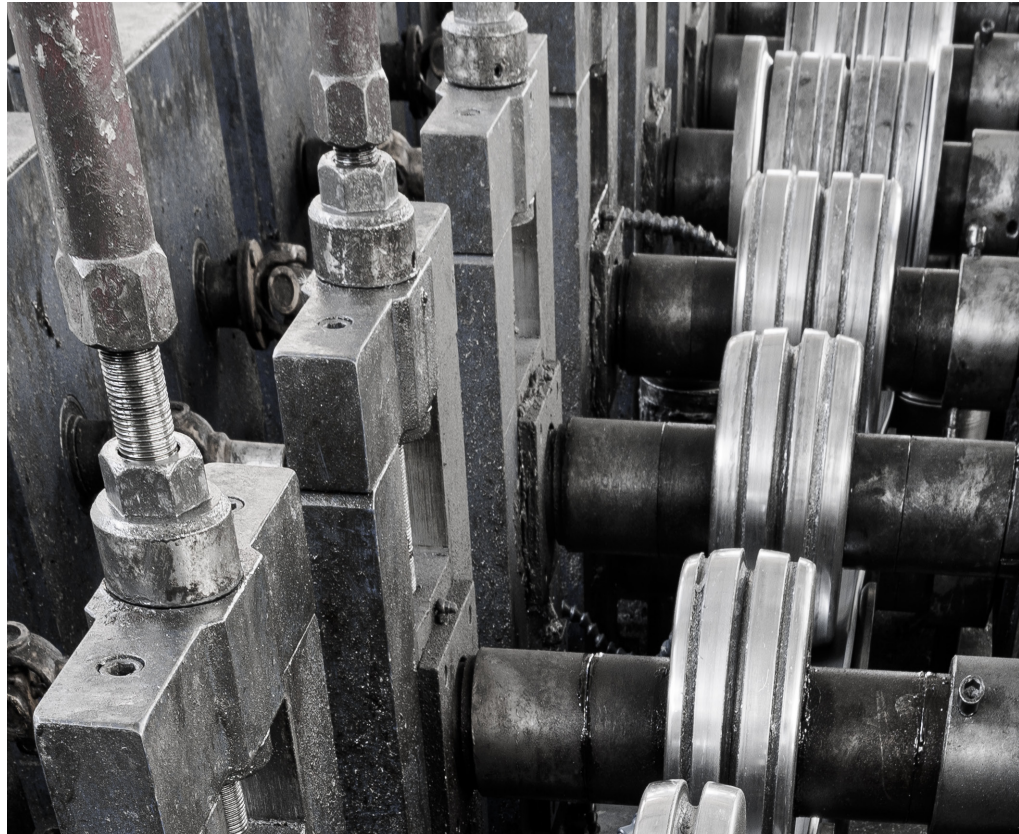
F.I.TE.SOL. srl is on the national market as a leading and dynamic company, based on very qualified personnel, with technical skills and years of experience in the field of components for awnings; we are a company with very high made in Italy performances since 20 years.

The above characteristics, along with our professionalism in making our products, with the high quality of raw materials, with machines technology, allow our company to be well known and appreciated on the national market.

Seriousness in workmanship, punctuality in deliveries, competitive prices in line with the quality of the products offered, maximum care and precision in production, service, assistance, willingness to develop, as far as possible, solutions for particular customer requests, make F.I.TE.SOL. srl a highly reliable company to turn to for your needs.

The consolidated experience and the excellent results achieved to date, push the Company to appear on international markets. by placing expertise, professionalism and specialized manpower at the service of new customers, as well as excellent technical knowledge acquired over the many years spent in the field of awnings.

F.I.TE.SOL. srl, dynamism and professionalism always at your service!

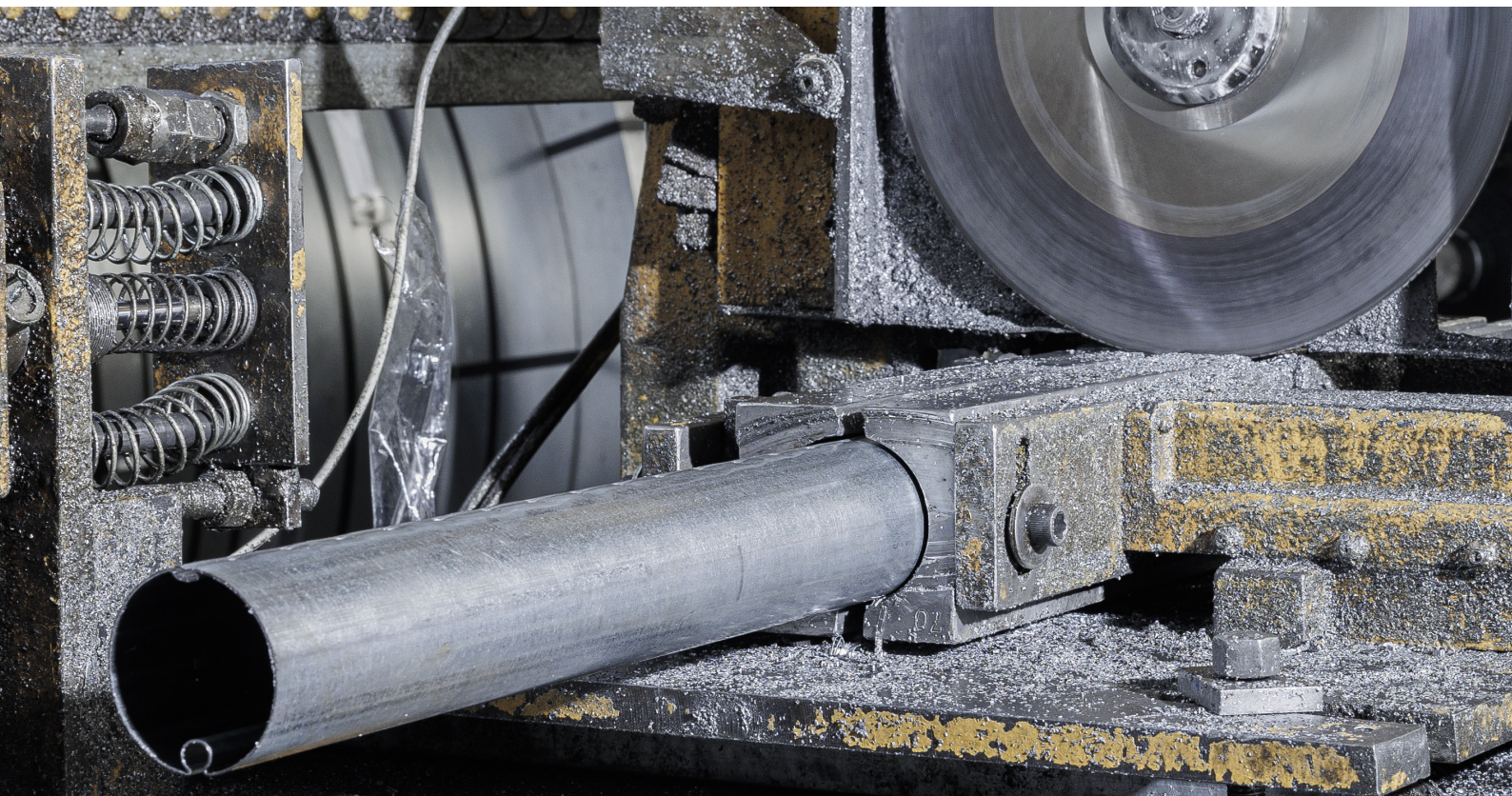


Catalogue 2024

All rights are reserved.
Total or partial reproduction
or the communication to a third party
are not allowed unless authorized in written.

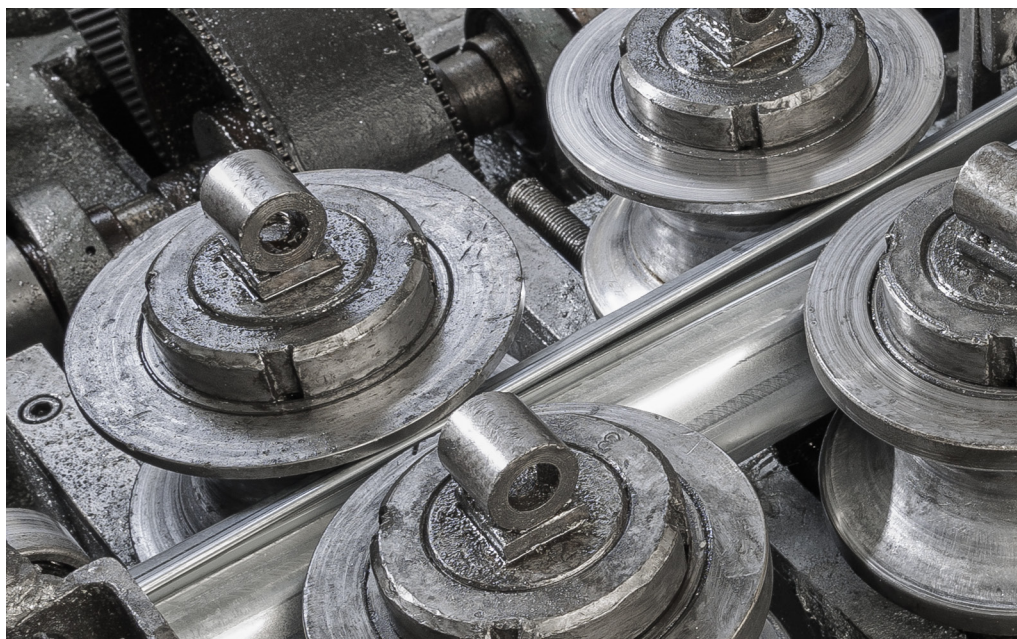


F.I.TE.SOL. srl
20060 Pozzo d'Adda (MI) – Via del Lavoro, 13
Tel. 02 90968573
www.fitesol.com – fitesol@fitesol.com

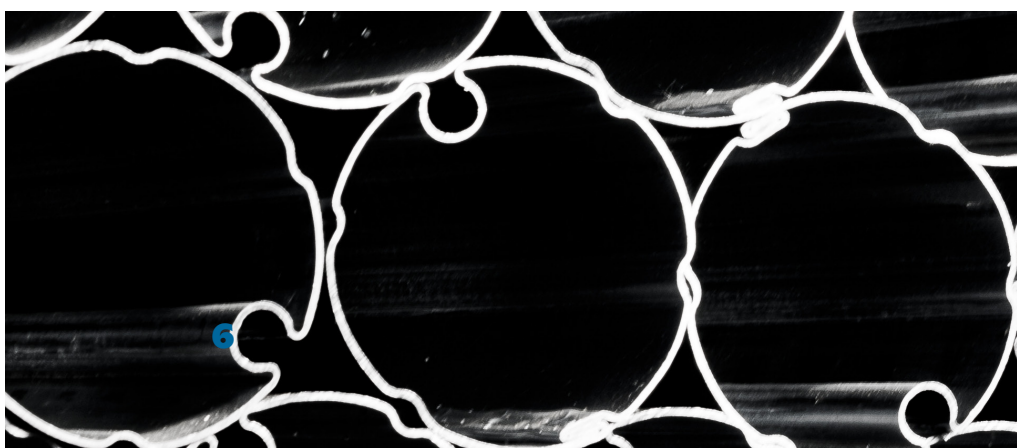


Winding rollers

The F.I.TE.SOL. winding rollers are made of galvanized steel in several diameters and thicknesses. They are made by a multi-stage cold processing, which avoids yielding and tension of the material, while giving it greater resistance and rigidity.

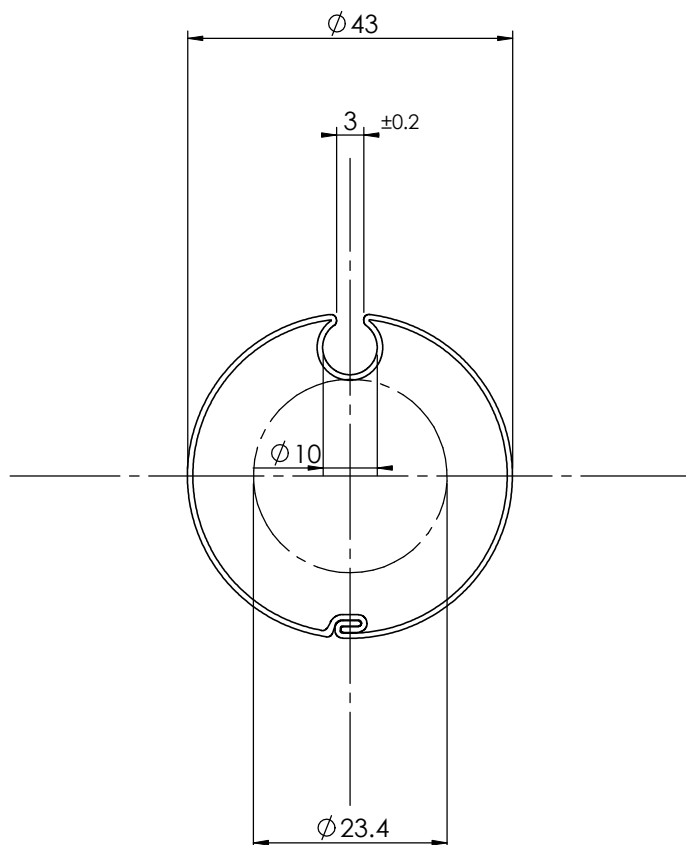
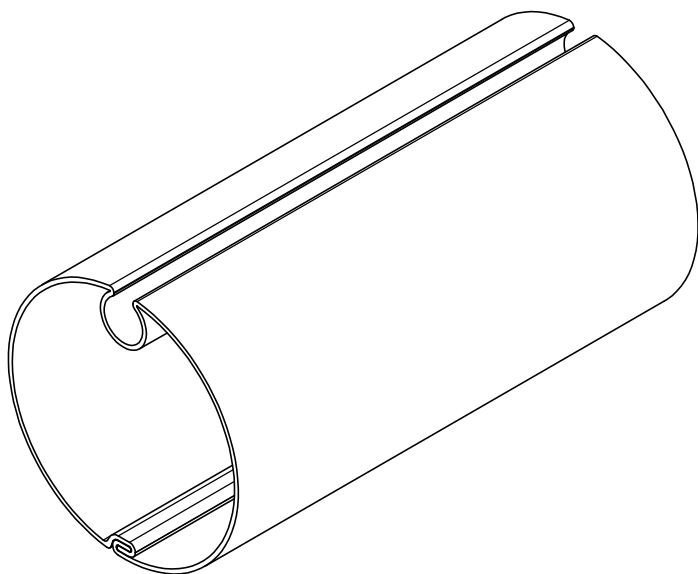


The tubes, depending on the diameter, are made with or without ribs. The tube sealing is always made on the opposite side to the ogive, in order to improve the rigidity of the tube. Thanks to the special profiling process, the sealing is always perfectly made and pressed. A subsequent punching ensures perfect sealing and resistance, guaranteed over time.



Winding rollers

Diameter 43 mm

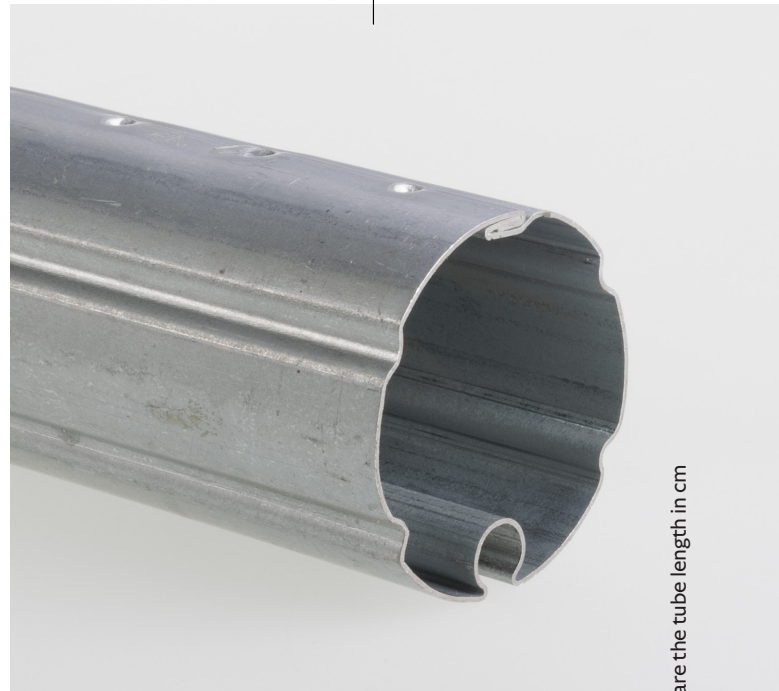
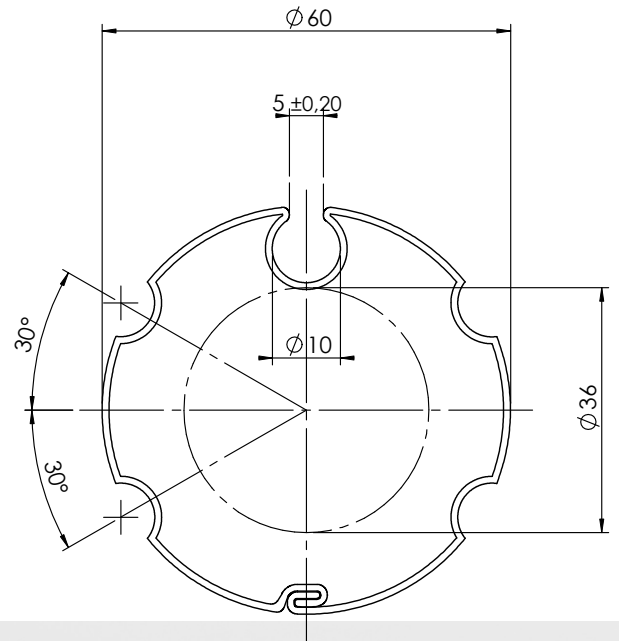
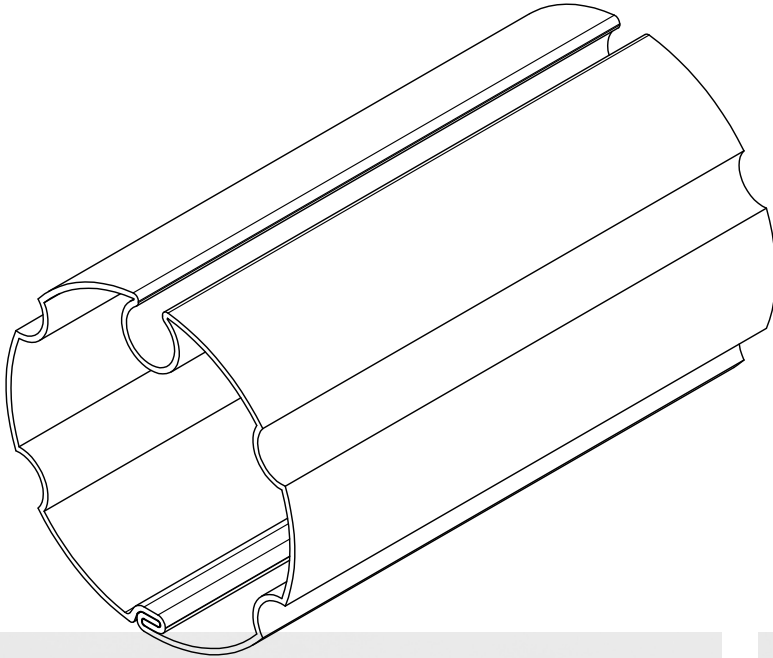


code	description	thickness	pack.
48 ...	Round ogive tube Ø 43 mm	8/10 (0,8 mm)	77

The last positions of the code are the tube length in cm

Winding rollers

Diameter 60 mm

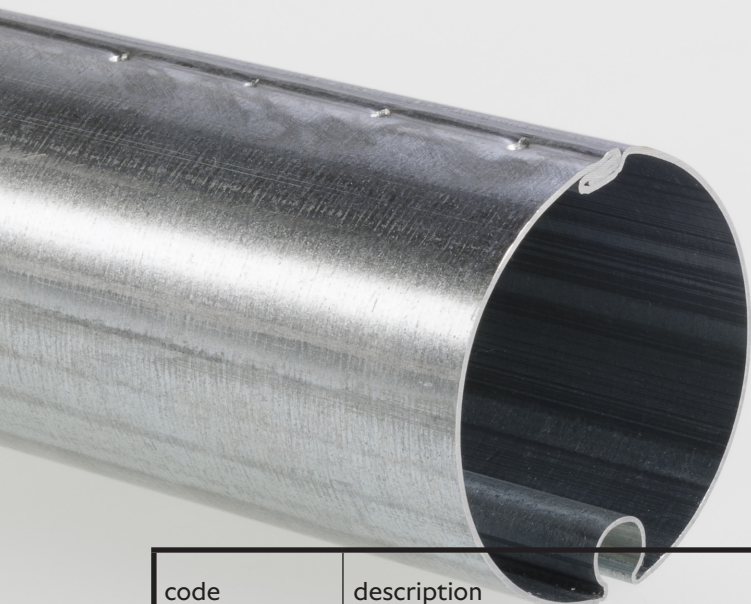
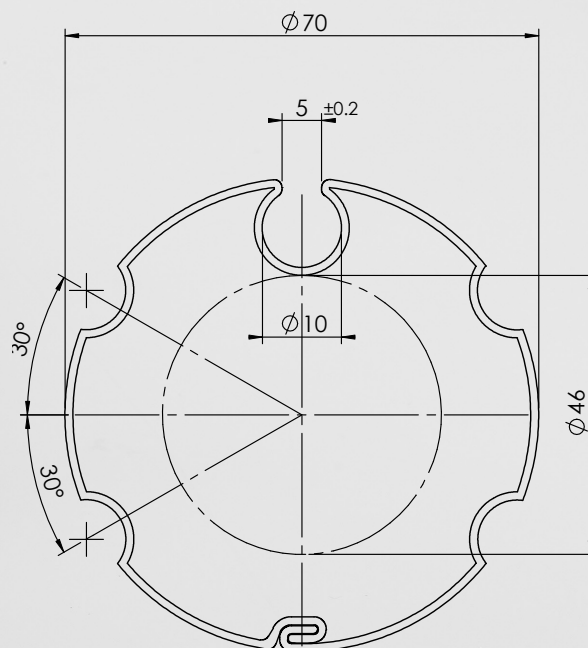
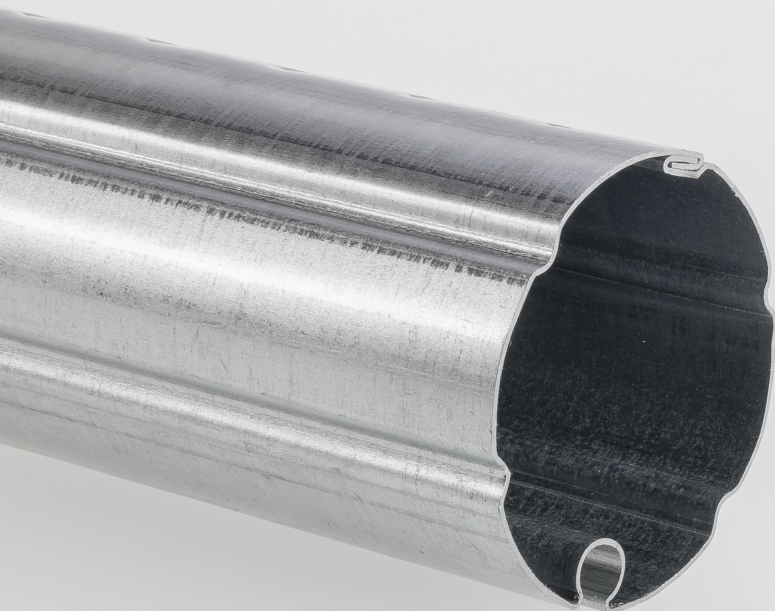


code	description	thickness	pack.
67 ...	Round ogive tube Ø 60 mm	7/10 (0,7 mm)	59
68 ...	Round ogive tube Ø 60 mm	8/10 (0,8 mm)	59

The last positions of the code are the tube length in cm

Winding rollers

Diameter 70 mm

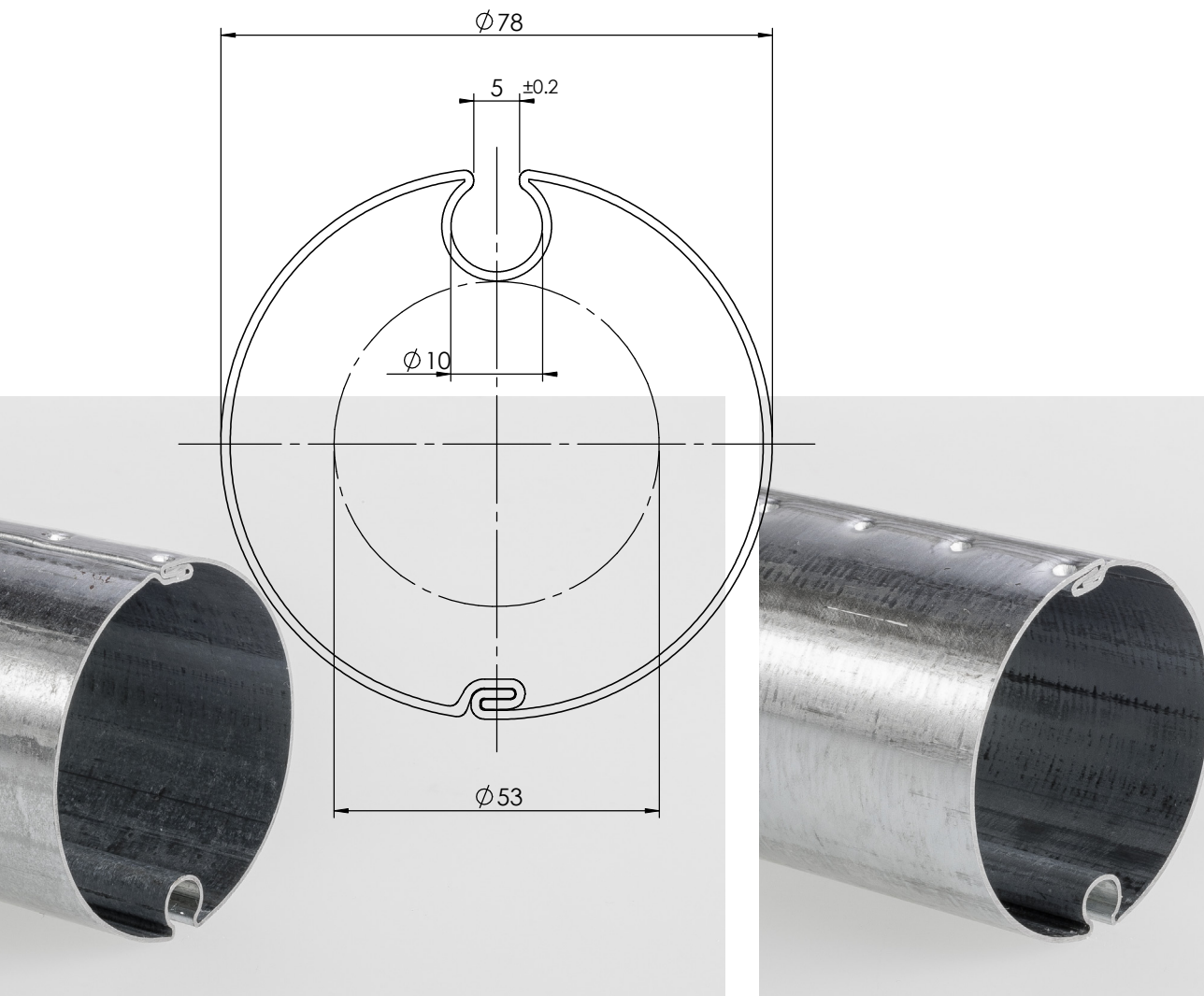


code	description	thickness	pack.
71 ...	Round ogive tube Ø 70 mm	10/10 (1,0 mm)	39
71L ...	Smooth tube with round ogive Ø 70 mm	10/10 (1,0 mm)	39
78 ...	Round ogive tube Ø 70 mm	8/10 (0,8 mm)	39

The last positions of the code are the tube length in cm

Winding rollers

Diameter 78 mm

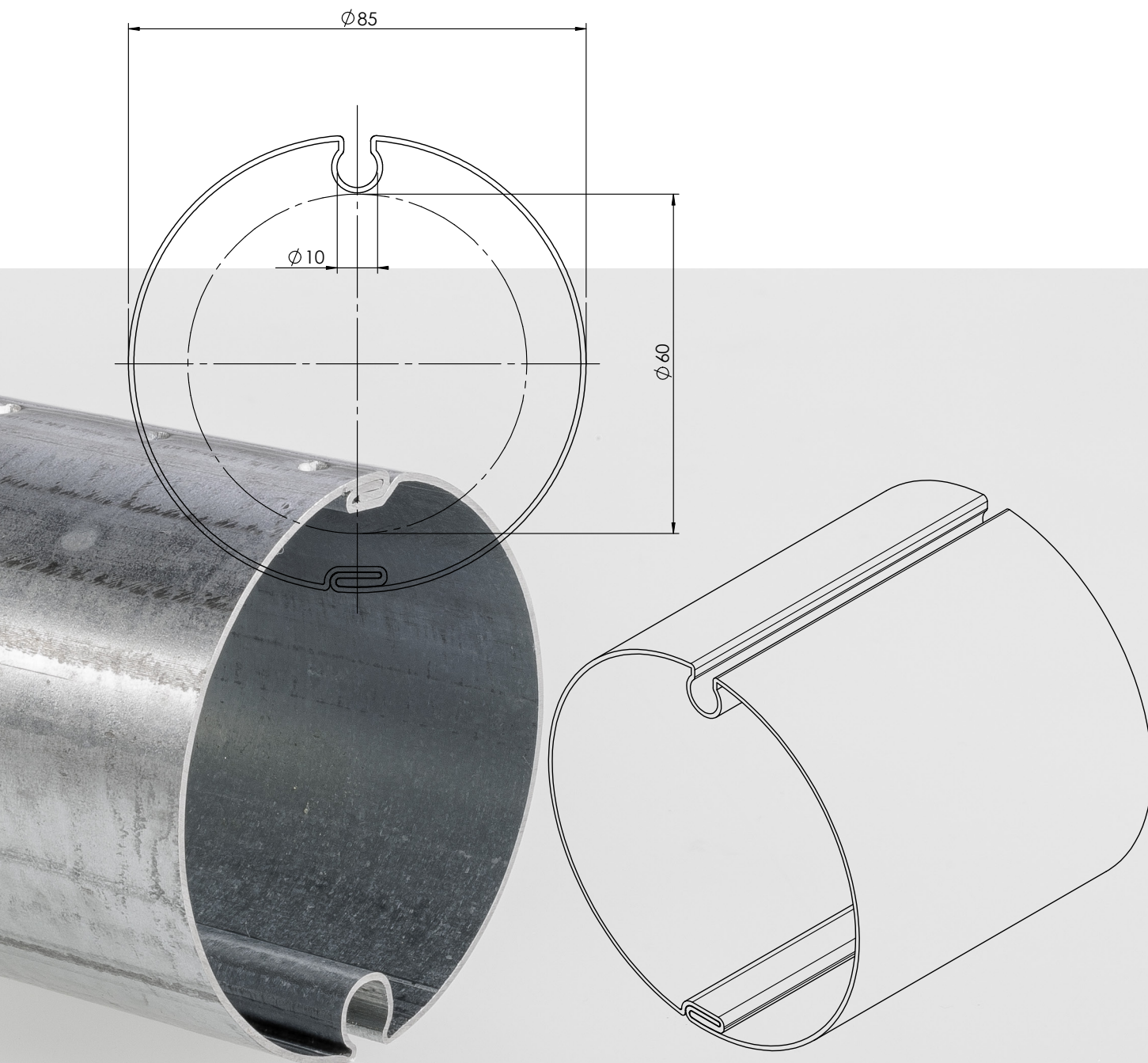


code	description	thickness	pack.
81 ...	Round ogive tube Ø 78 mm	10/10 (1,0 mm)	28
82 ...	Round ogive tube Ø 78 mm	12/10 (1,2 mm)	28
85 ...	Round ogive tube Ø 78 mm	8/10 (0,8 mm)	28

The last positions of the code are the tube length in cm

Winding rollers

Diameter 85 mm

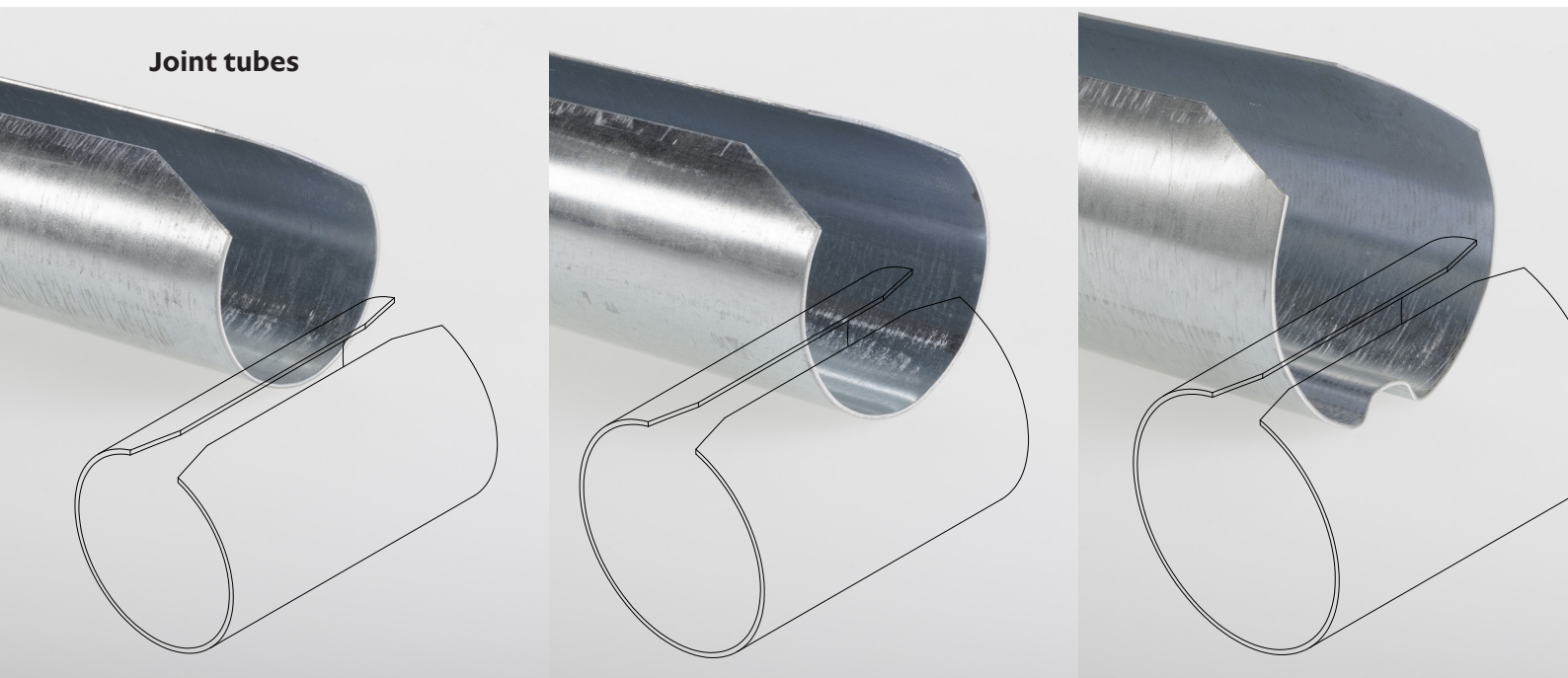


code	description	thickness	pack.
92 ...	Round ogive tube Ø 85 mm	12/10 (1,2 mm)	23

The last positions of the code are the tube length in cm

Winding rollers

Joint tubes



code	description	diameter	length	pack.
20.060	Joint tube	60 mm	500 mm	–
20.070	Joint tube	70 mm	500 mm	40
20.078	Joint tube	78 mm	500 mm	30

Clamps for ogive tubes



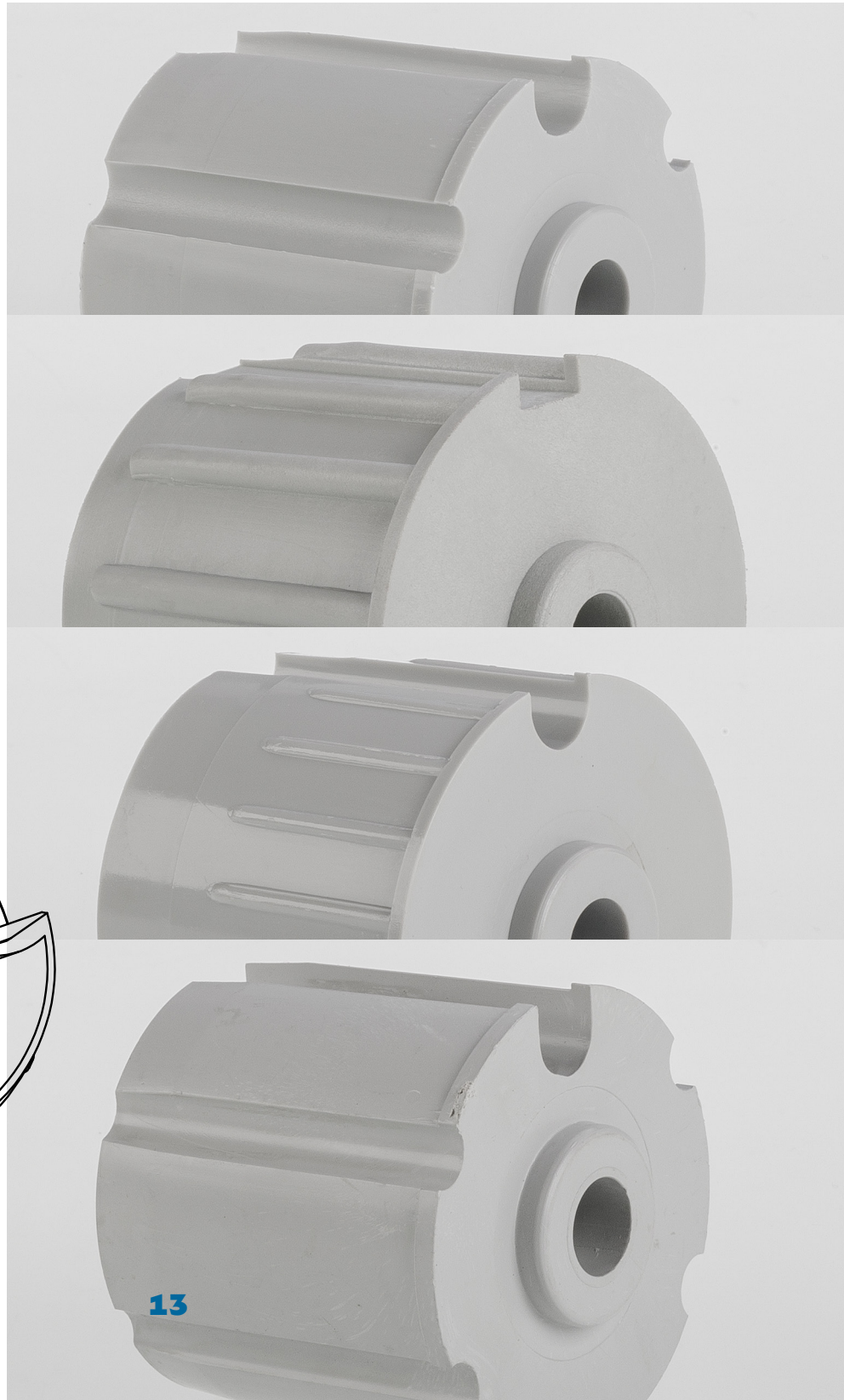
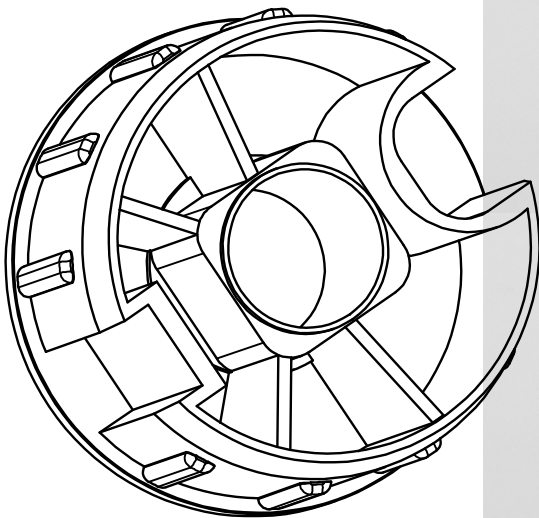
code	description	pack.
21.000	Clamp for ogive tubes	–

Caps

F.I.TE.SOL. the caps, entirely made in Italy, are made with high quality die-cast ABS or NYLON – depending on their size – and are designed for perfectly match the winding tubes. The pins, in galvanized steel, are grafted onto the shell during the die-casting phase, guaranteeing a perfect coupling between the plastic material and the metal.

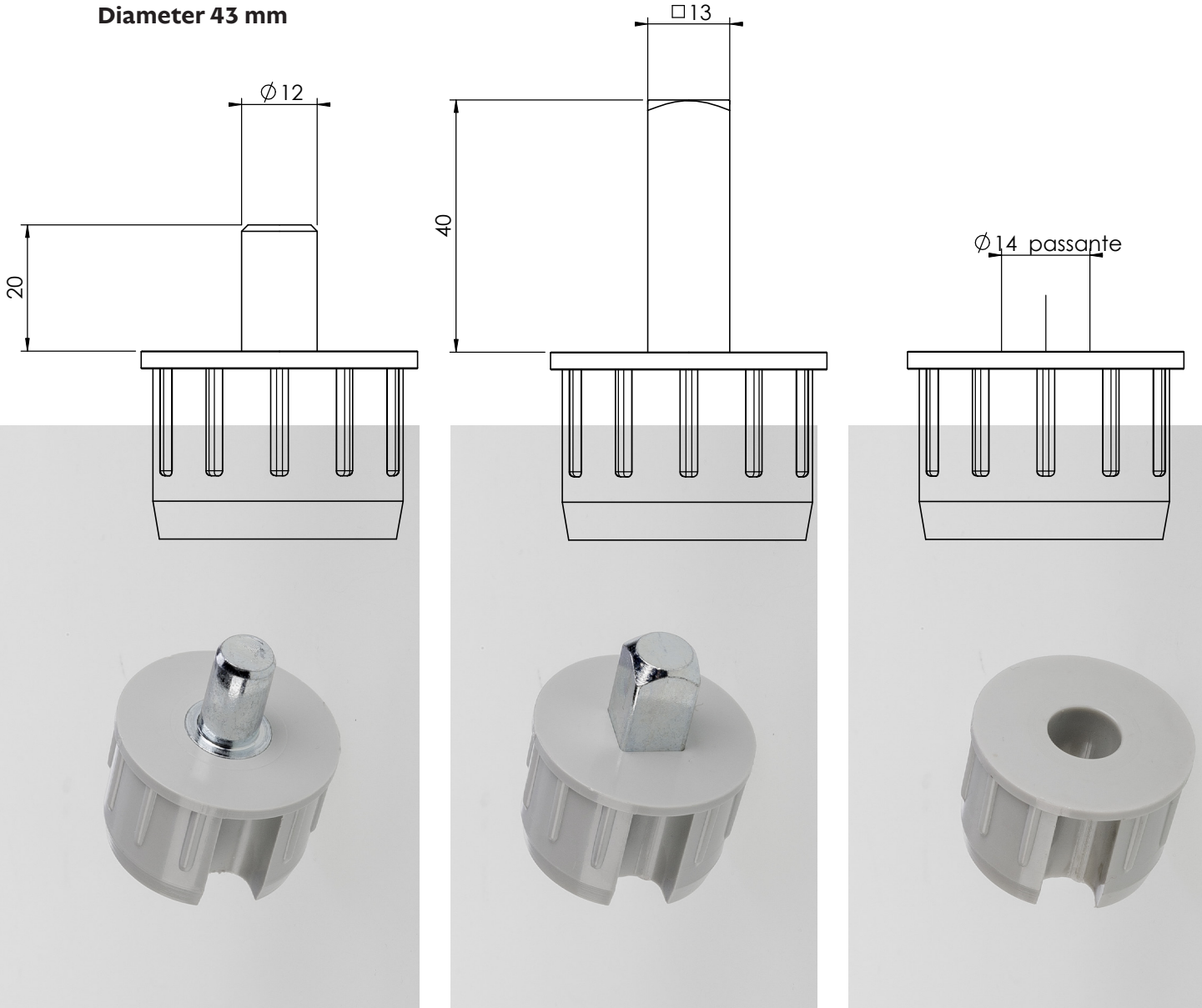
The caps are longer than the average, more thick and have reinforcing ribs (for big efforts resistance), thus ensuring great rigidity and resistance and long life.

The caps are available in the diameters of the different types of F.I.TE.SOL. tubes. They are made with round or square pins, or with holes, depending on the different applications.



Caps

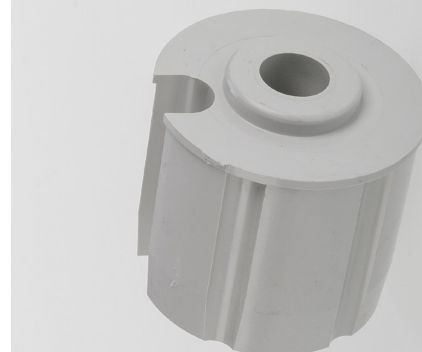
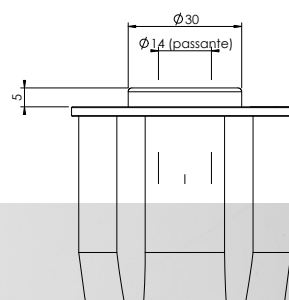
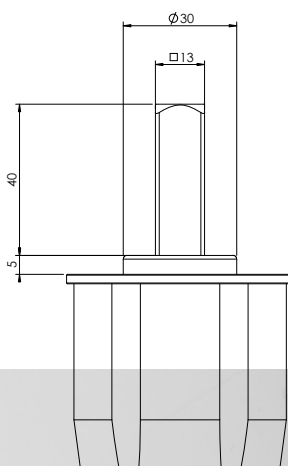
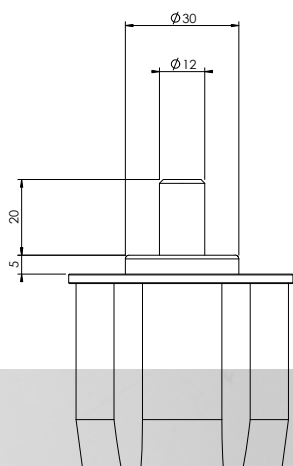
Diameter 43 mm



code	description	material	pivot	pack.
12.001	Caps with ogive Ø 43	ABS	Ø 12 × 20 mm	100
12.014	Caps with ogive Ø 43	ABS	□ 13 × 20 mm	100
12.015	Caps with ogive Ø 43	ABS	□ 13 × 40 mm	100
12.033	Caps with ogive Ø 43	ABS	hole Ø 14 mm	100

Caps

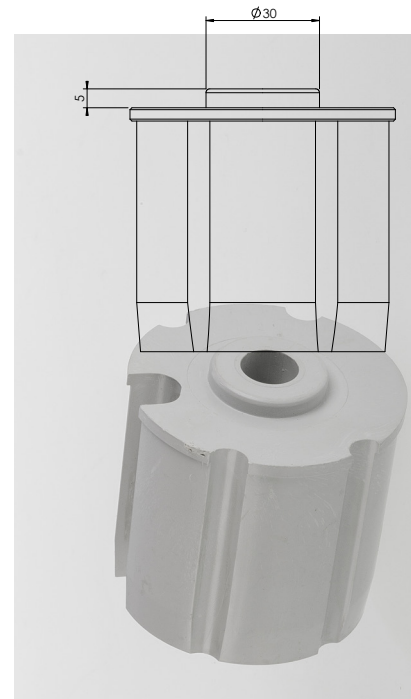
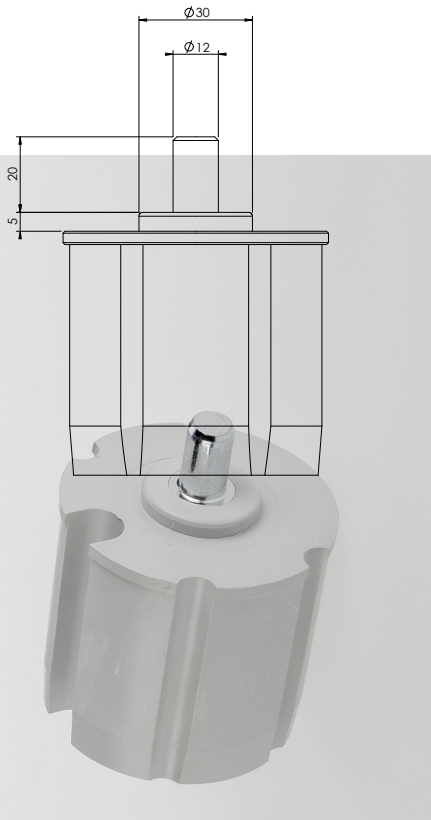
Diameter 60 mm



code	description	material	pivot	pack.
13.001	Caps with ogive Ø 60	ABS	Ø 12 × 20 mm	100
13.015	Caps with ogive Ø 60	ABS	□ 13 × 40 mm	100
13.019	Caps with ogive Ø 60	ABS	□ 13 × 50 mm	100
13.021	Caps with ogive Ø 60	ABS	□ 13 × 60 mm	100
13.033	Caps with ogive Ø 60	ABS	hole Ø 14 mm	100

Caps

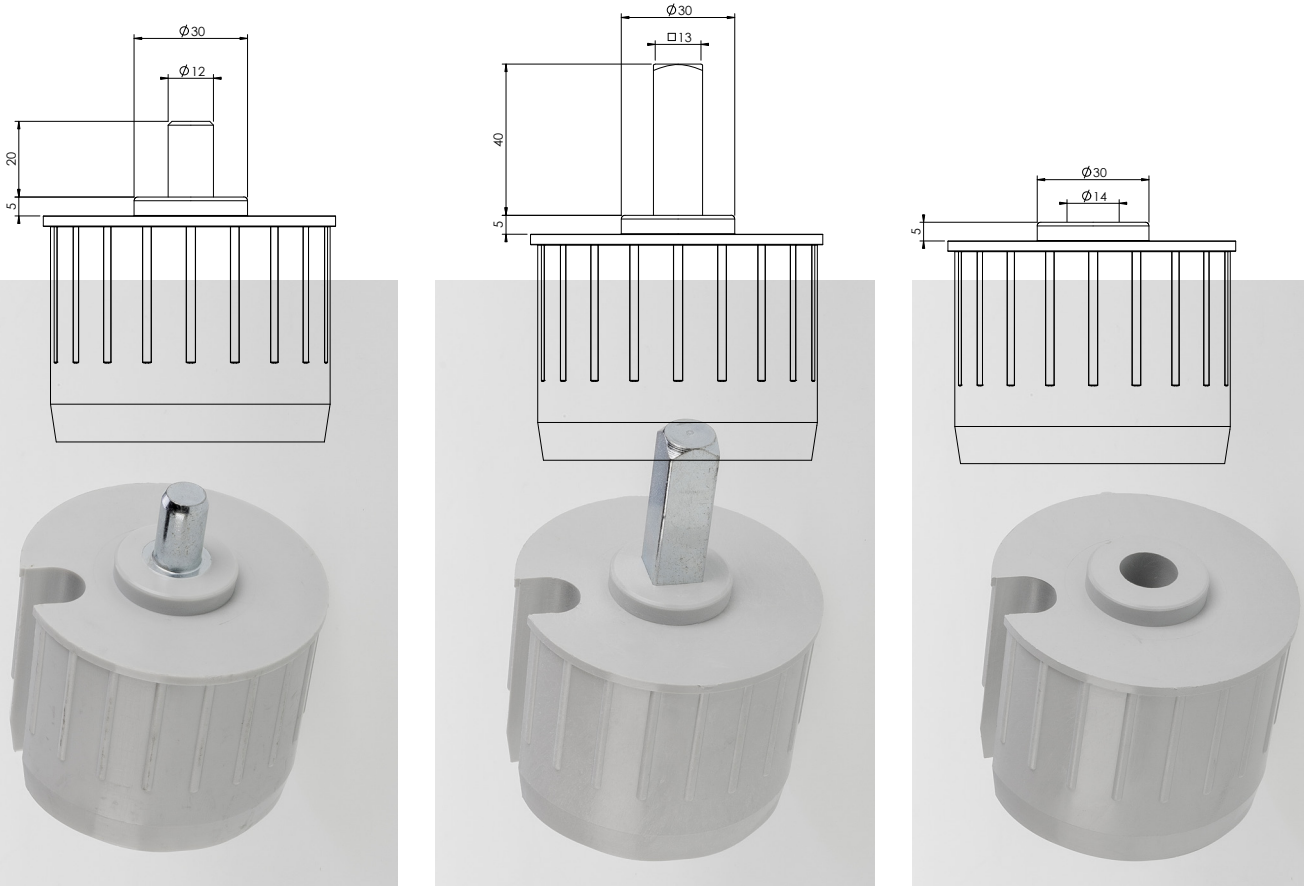
Diameter 70 mm



code	description	material	pivot	pack.
14.001	Caps with ogive Ø 70	ABS	Ø 12 × 20 mm	100
14.015	Caps with ogive Ø 70	ABS	□ 13 × 40 mm	100
14.019	Caps with ogive Ø 70	ABS	□ 13 × 50 mm	100
14.021	Caps with ogive Ø 70	ABS	□ 13 × 60 mm	100
14.023	Caps with ogive Ø 70	ABS	□ 13 × 75 mm	100
14.033	Caps with ogive Ø 70	ABS	hole Ø 14 mm	100
14.016	Caps with ogive Ø 70	ABS	□ 13 × 20 mm	100
14.018	Caps with ogive Ø 70	ABS	□ 13 × 32 mm	100

Caps

Diameter 78 mm



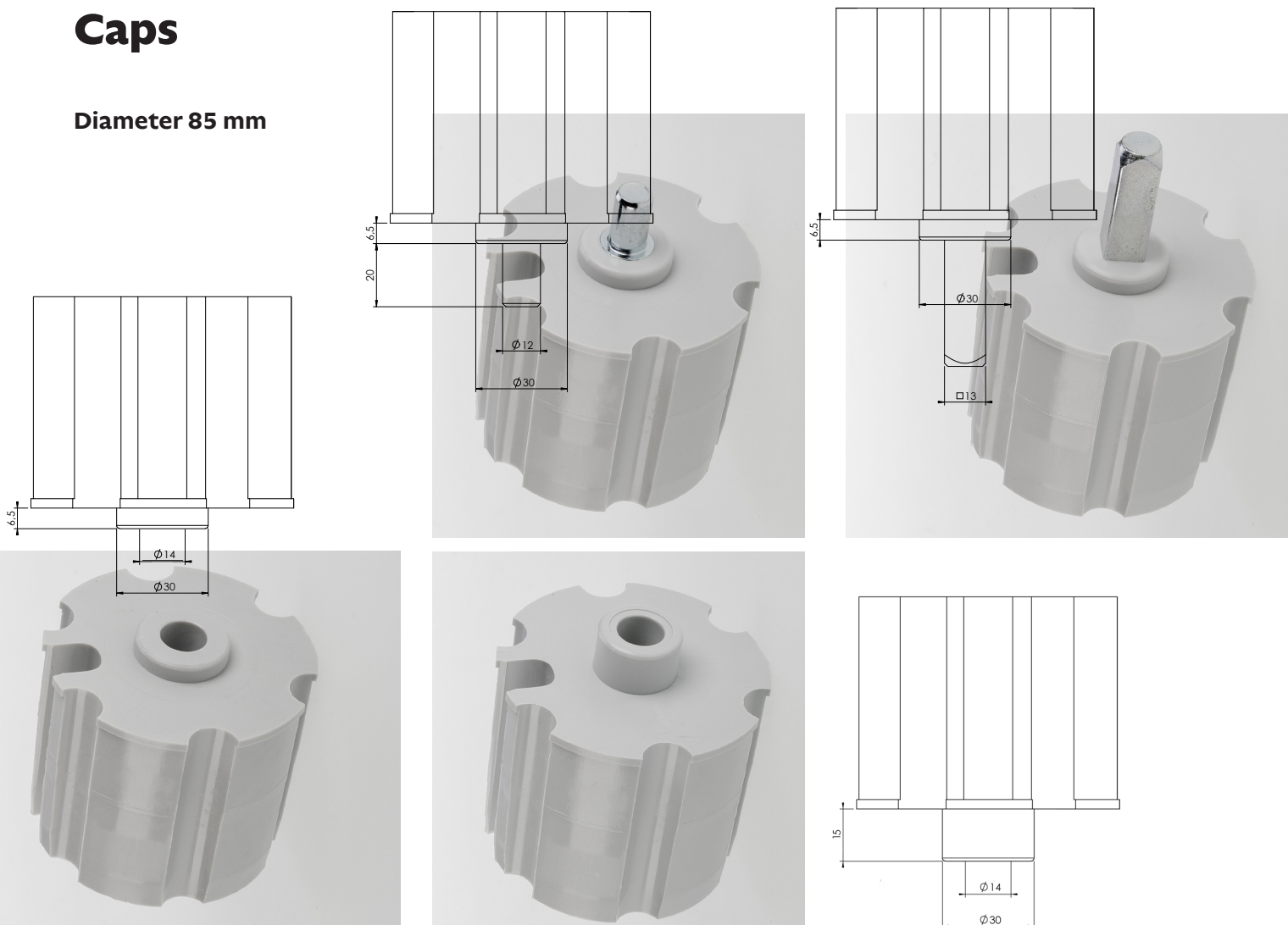
code	description	material	pivot	pack.
18.001	Caps with ogive Ø 78	NYLON	Ø 12 x 20 mm	100
18.015	Caps with ogive Ø 78	NYLON	□ 13 x 40 mm	100
18.019	Caps with ogive Ø 78	NYLON	□ 13 x 50 mm	100
18.021	Caps with ogive Ø 78	NYLON	□ 13 x 60 mm	100
18.023	Caps with ogive Ø 78	NYLON	□ 13 x 75 mm	100
15.033	Caps with ogive Ø 78	NYLON	hole Ø 14 mm	100
18.017	Caps with ogive Ø 78	NYLON	□ 13 x 20 mm	100

All rights are reserved.
Total or partial reproduction
or the communication to a third party
are not allowed unless authorized in written.

F.I.TE.SOL. srl
20060 Pozzo d'Adda (MI) – Via del Lavoro, 13
Tel. 02 90968573
www.fitesol.com – fitesol@fitesol.com

Caps

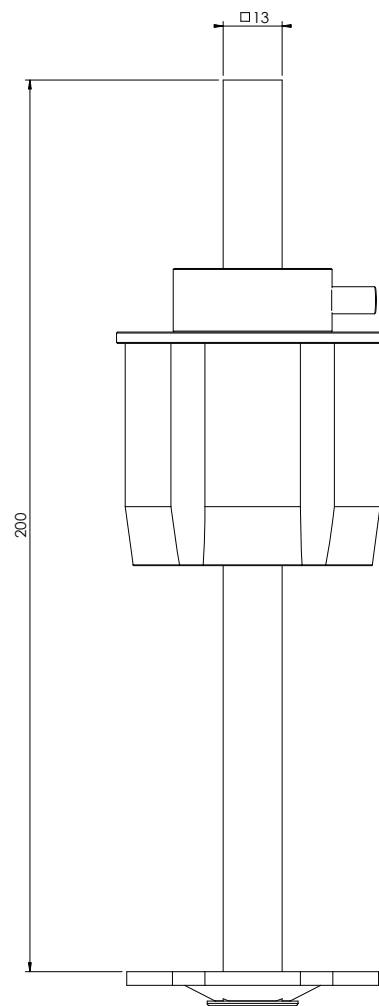
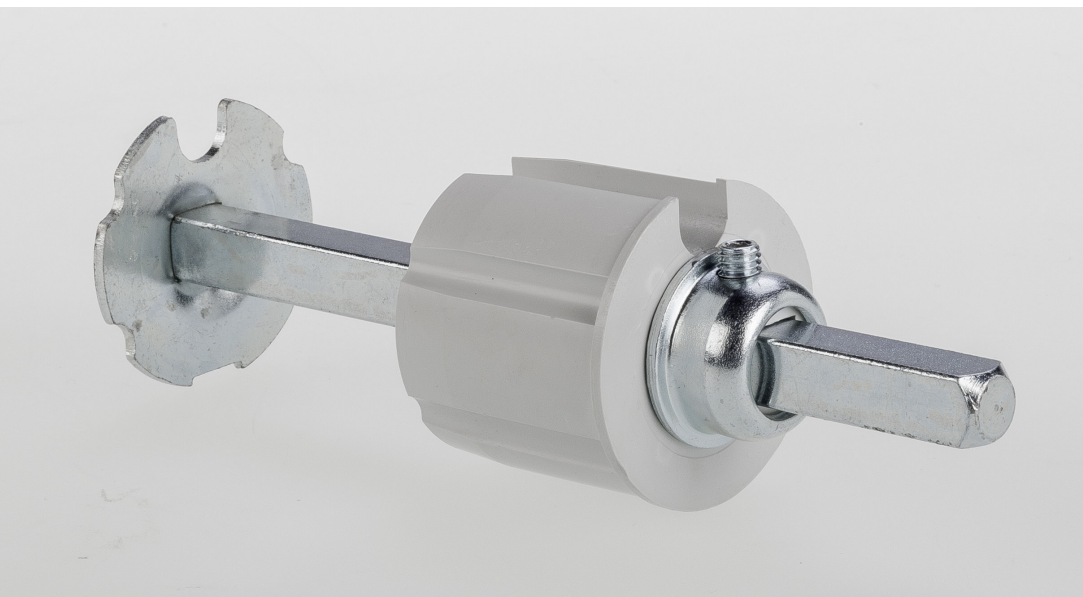
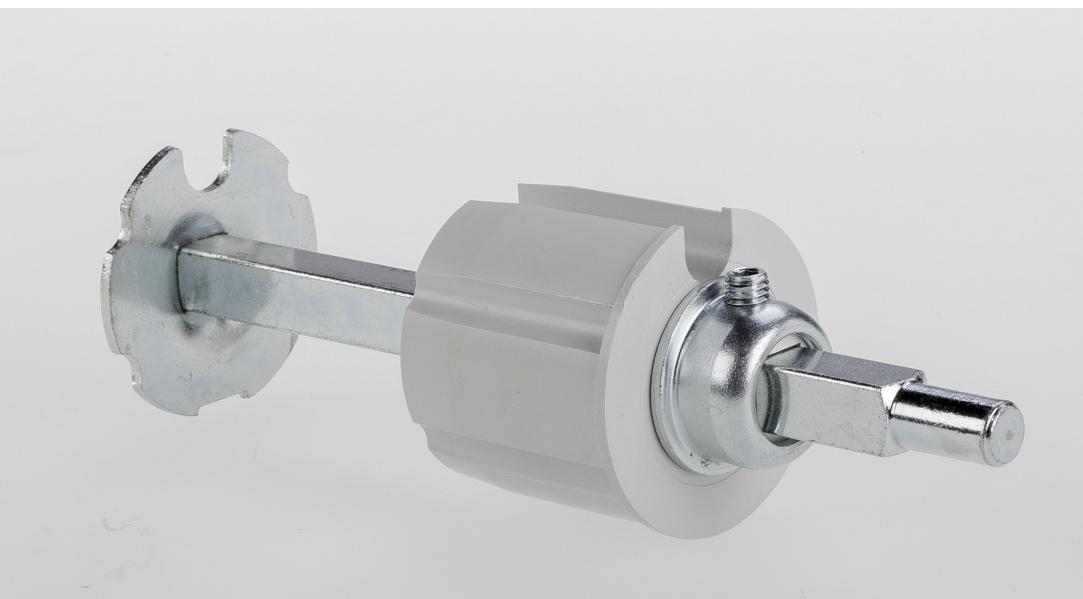
Diameter 85 mm



code	description	material	pivot	pack.
19.002	Caps with ogive Ø 85	NYLON	Ø 12 × 20 mm	50
19.001	Caps with ogive Ø 85	NYLON	□ 12 × 40 mm	50
19.015	Caps with ogive Ø 85	NYLON	□ 13 × 40 mm	50
16.033	Caps with ogive Ø 85	NYLON	hole Ø 14 mm	50
16.034	Caps with ogive Ø 85	NYLON	hole Ø 14 mm long shaft housing	50
19.014	Caps with ogive Ø 85	NYLON	□ 13 × 20 mm	50
19.021	Caps with ogive Ø 85	NYLON	□ 13 × 60 mm	50

Adjustable caps

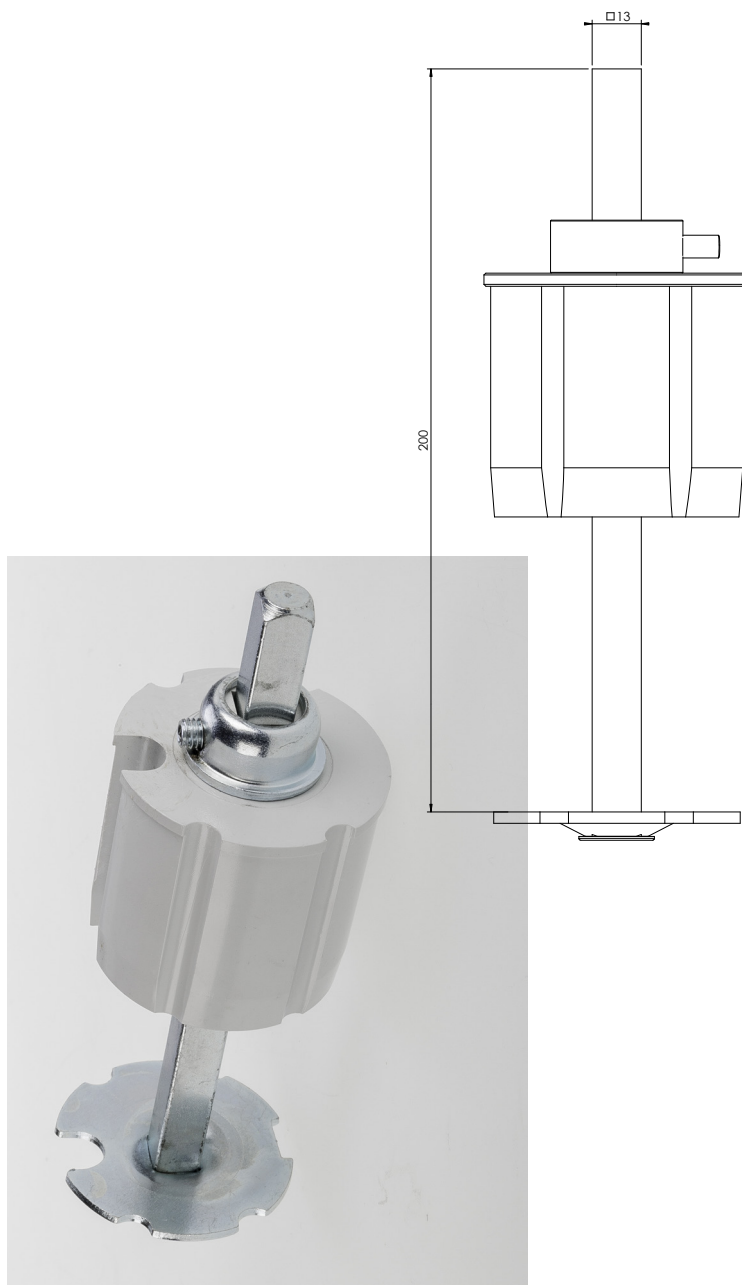
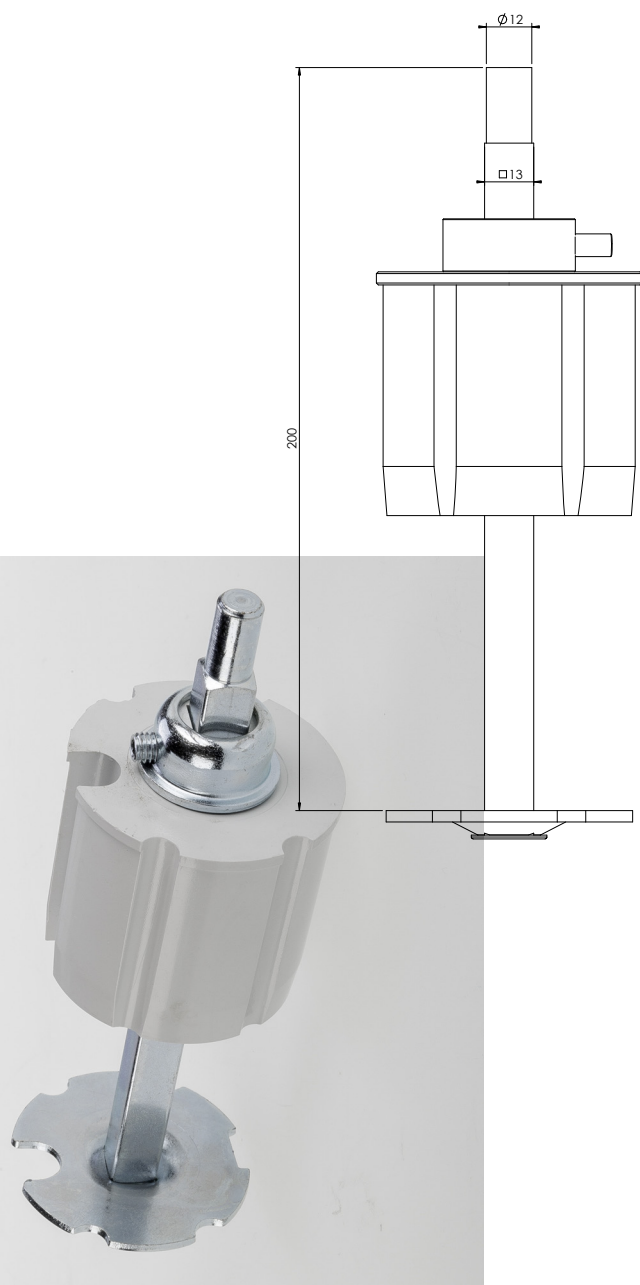
Diameter 60 mm



code	description	material	pivot	pack.
13.035	Adjustable caps with ogive Ø 60	ABS	Ø 12 mm	–
13.034	Adjustable caps with ogive Ø 60	ABS	□ 13 mm	–

Adjustable caps

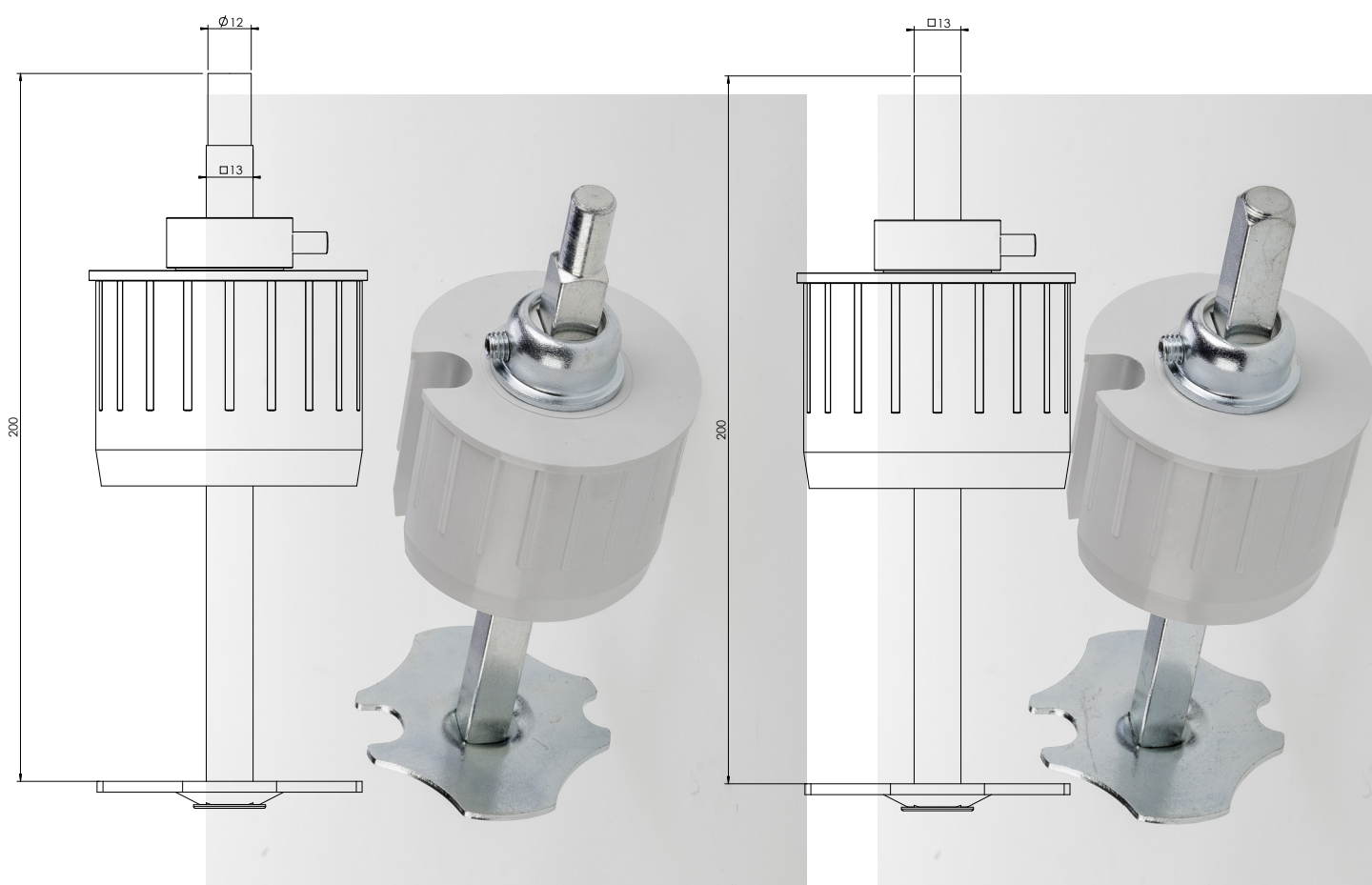
Diameter 70 mm



code	description	material	pivot	pack.
14.035	Adjustable caps with ogive Ø 70	ABS	Ø 12 mm	–
14.034	Adjustable caps with ogive Ø 70	ABS	□ 13 mm	–

Adjustable caps

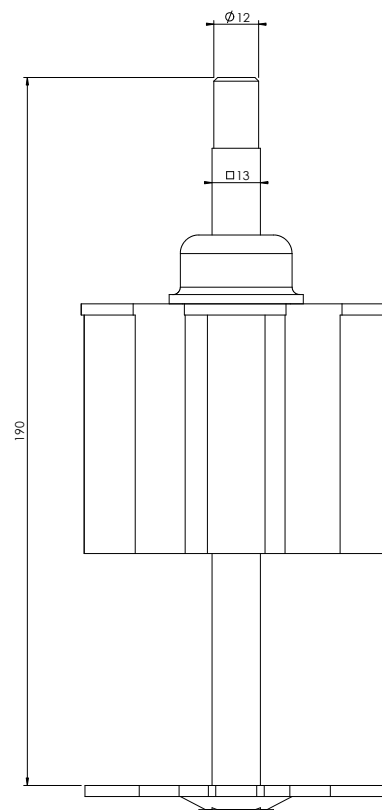
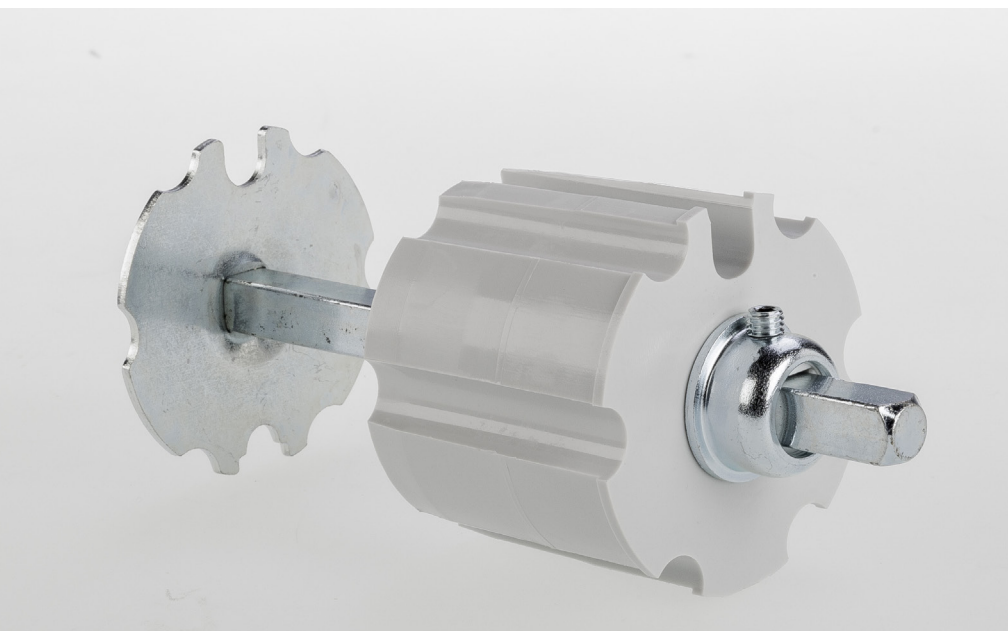
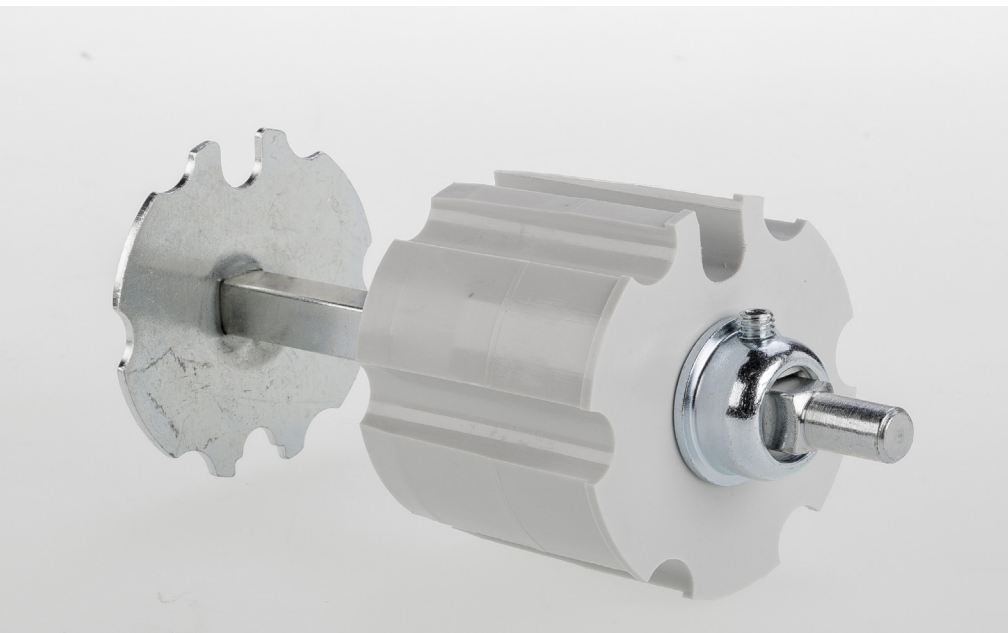
Diameter 78 mm



code	description	material	pivot	pack.
15.035	Adjustable caps with ogive Ø 78	NYLON	Ø 12 mm	–
15.034	Adjustable caps with ogive Ø 78	NYLON	□ 13 mm	–

Adjustable caps

Diameter 85 mm



code	description	material	pivot	pack.
15.047	Adjustable caps with ogive Ø 85	NYLON	Ø 12 mm	–
15.045	Adjustable caps with ogive Ø 85	NYLON	□ 13 mm	–

Double ogive windings rollers

With F.I.TE.SOL. DOUBLE OGIVES, the fabric seam remains within the ogive, thus avoiding troublesome folds that sometimes occur in correspondence of the fabric hooping over the roller.

Furthermore, with the DOUBLE OGIVE F.I.TE.SOL., you may use the two ogives indifferently, so it is possible to decide the direction of rolling up the fabric during the assembly of the awning allowing also recover from any design or installation unexpected issues.



Single ogive: the seam keeps outside and makes annoying wrinkles at the engagement of the fabric on the roller.

Double ogive: the seam is completely inside the ogive and the fabric rolls up perfectly. DOUBLE OGIVE F.I.TE.SOL. also increases the rigidity and resistance of the winding roller tube.

All rights are reserved.
Total or partial reproduction
or the communication to a third party
are not allowed unless authorized in written.

F.I.TE.SOL. srl
20060 Pozzo d'Adda (MI) – Via del Lavoro, 13
Tel. 02 90968573
www.fitesol.com – fitesol@fitesol.com

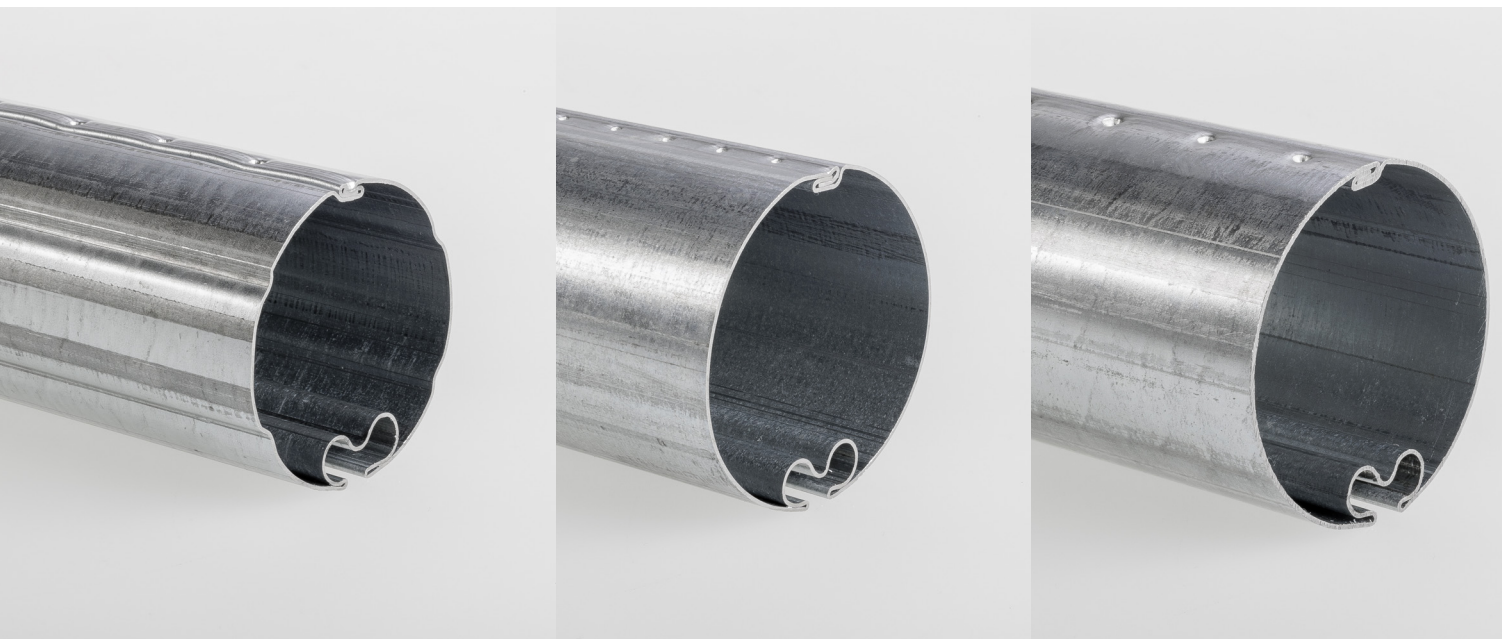
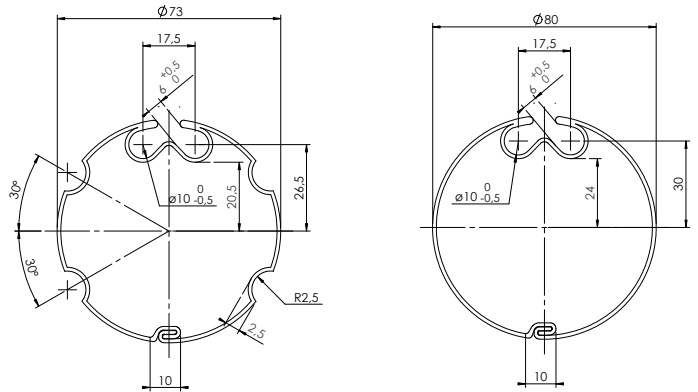
Double ogive windings rollers

Like all F.I.TE.SOL. rollers, these are made in Italy, made of galvanized steel with a diameter of 73 mm (with ribs) or 80 mm (without ribs).

Diameter 73 mm

Diameter 80 mm

Diameter 85 mm

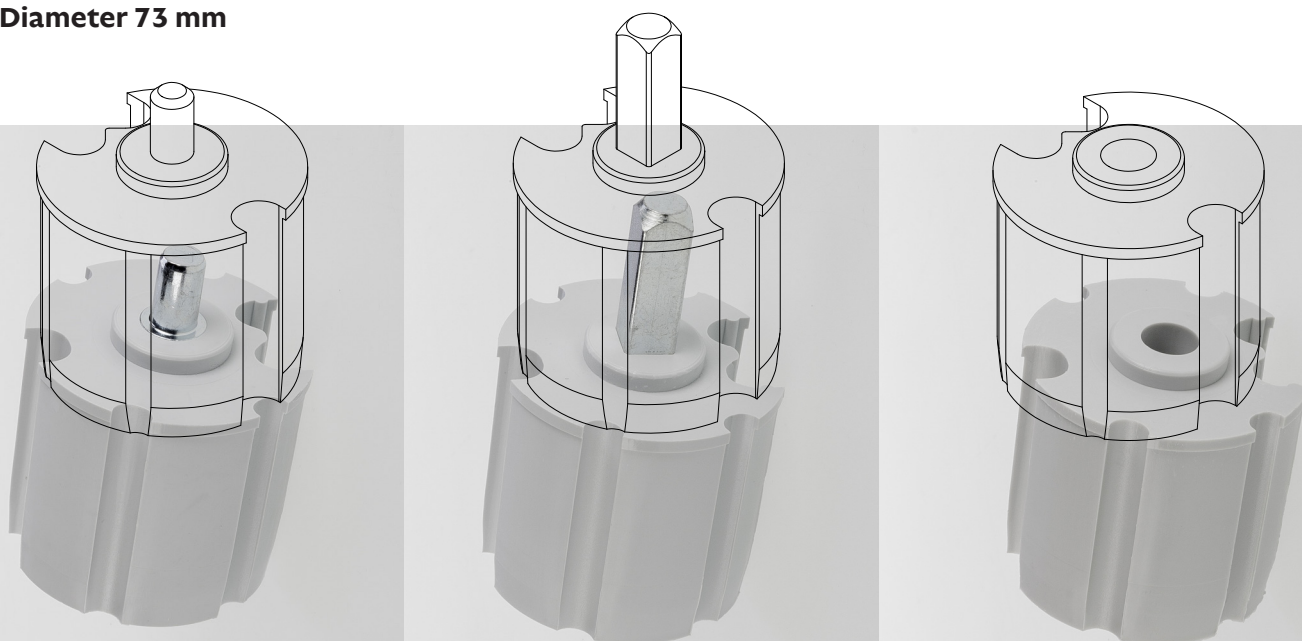


code	description	weight (kg/meter)	pack.
86 ...	Double ogive tube Ø 73 mm	2,1 kg	39
88 ...	Double ogive tube Ø 80 mm	2,3 kg	28
87 ...	Double ogive tube Ø 80 mm	2,6 kg	28
89 ...	Double ogive tube Ø 85 mm	3,1 kg	23

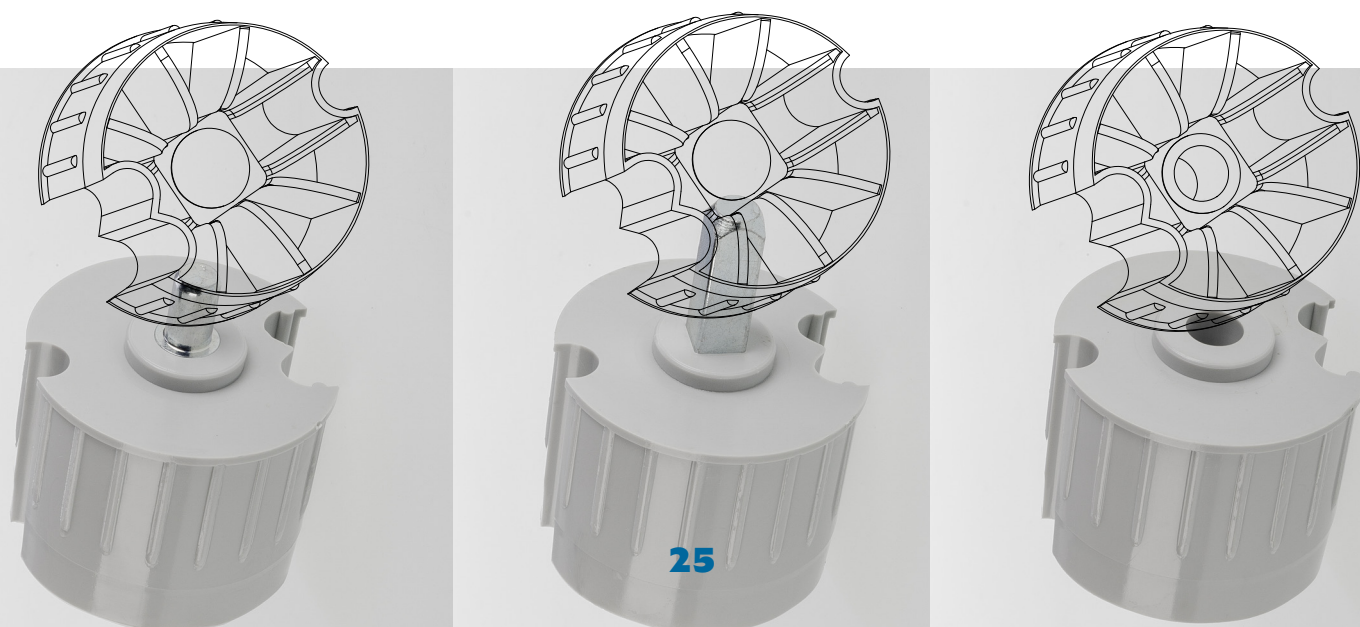
Double ogive caps

The caps, designed for coupling
with Double Ogive Tubes, have the
same characteristics and the same
advantages as traditional caps.

Diameter 73 mm



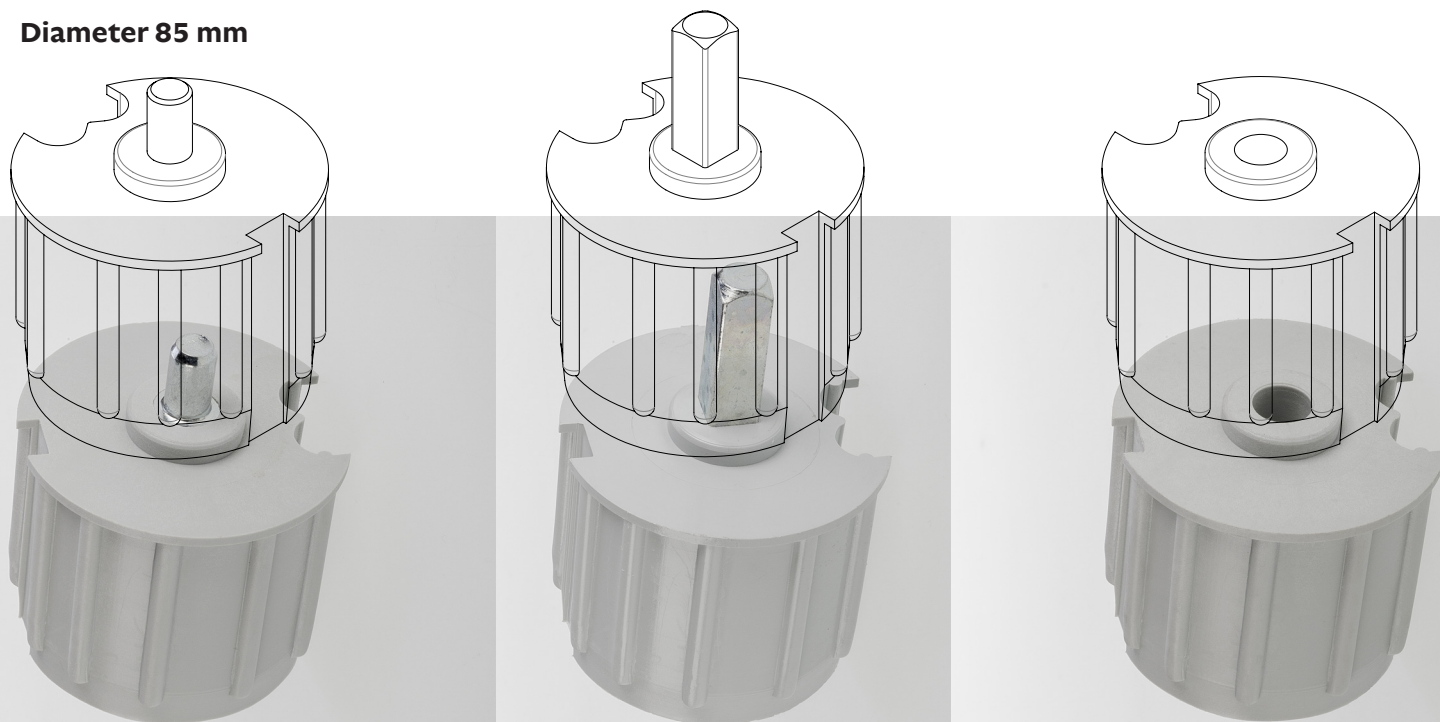
Diameter 80 mm



All rights are reserved.
Total or partial reproduction
or the communication to a third party
are not allowed unless authorized in written.

F.I.TE.SOL. srl
20060 Pozzo d'Adda (MI) – Via del Lavoro, 13
Tel. 02 90968573
www.fitesol.com – fitesol@fitesol.com

Diameter 85 mm



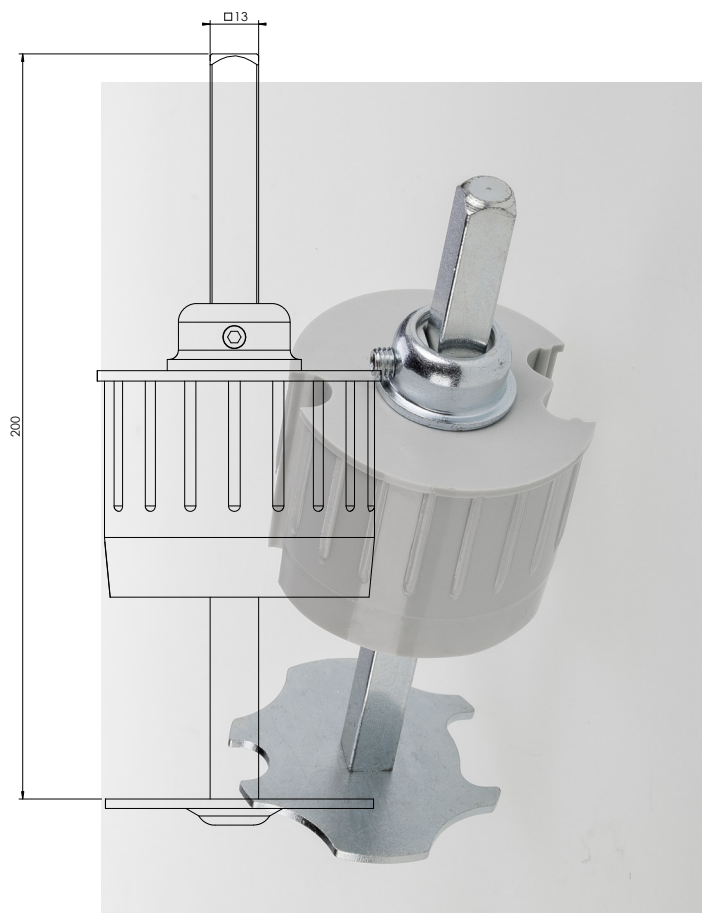
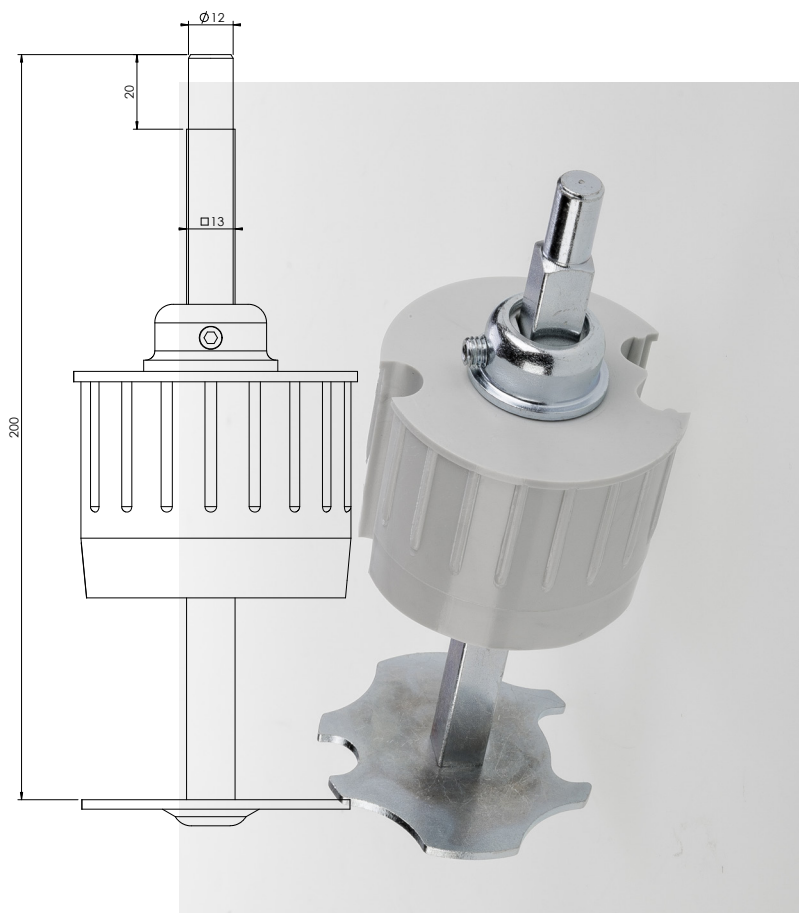
code	description	material	pivot	pack.
73.005	Double ogive caps Ø 73	NYLON	Ø 12 × 20 mm	100
73.015	Double ogive caps Ø 73	NYLON	□ 13 × 40 mm	100
73.033	Double ogive caps Ø 73	NYLON	hole Ø 14 mm	100

80.005	Double ogive caps Ø 80	NYLON	Ø 12 × 20 mm	100
80.015	Double ogive caps Ø 80	NYLON	□ 13 × 40 mm	100
80.033	Double ogive caps Ø 80	NYLON	hole Ø 14 mm	100

85.005	Double ogive caps Ø 85	NYLON	Ø 12 × 20 mm	100
85.015	Double ogive caps Ø 85	NYLON	□ 13 × 40 mm	100
85.033	Double ogive caps Ø 85	NYLON	hole Ø 14 mm	100

Adjustable double ogiva caps

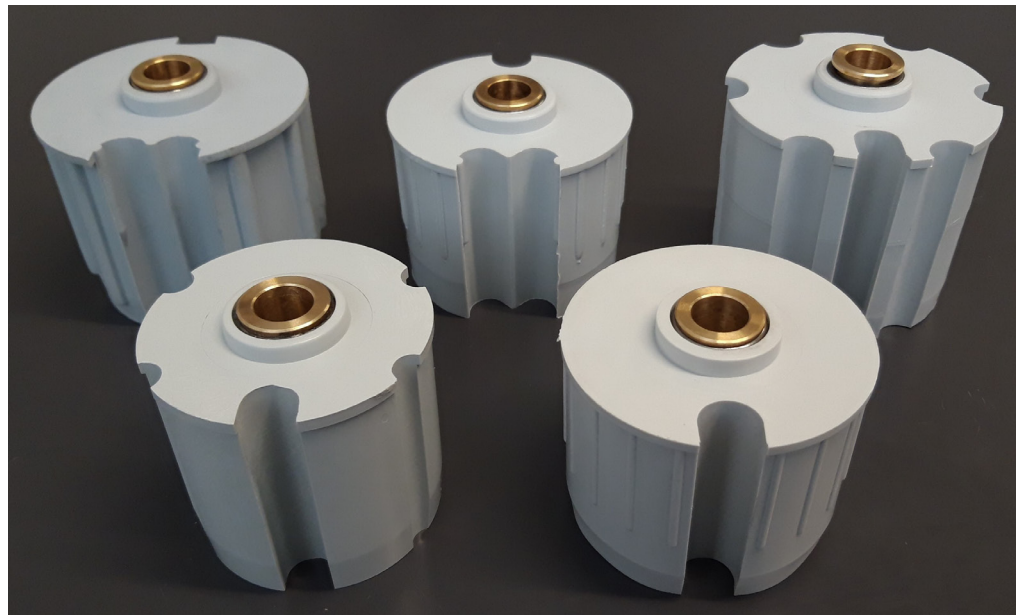
Diameter 80 mm



code	description	material	pivot	pack.
80.R42	Adjustable caps with double ogive Ø 80	NYLON	Ø 12 mm	–
80.RQ42	Adjustable caps with double ogive Ø 80	NYLON	□ 13 mm	–

Caps with bearings and bushings

The new caps with bearings and bushings, made in Italy in high quality die-cast NYLON, are designed specifically for large and heavy tents. These caps are available in several measures, for single and double ogive winding rollers. Thanks to the reduction of rolling friction, its ensure less effort and greater silence. The bearings are inserted onto the caps during casting, ensuring a perfect match between plastic and metal.



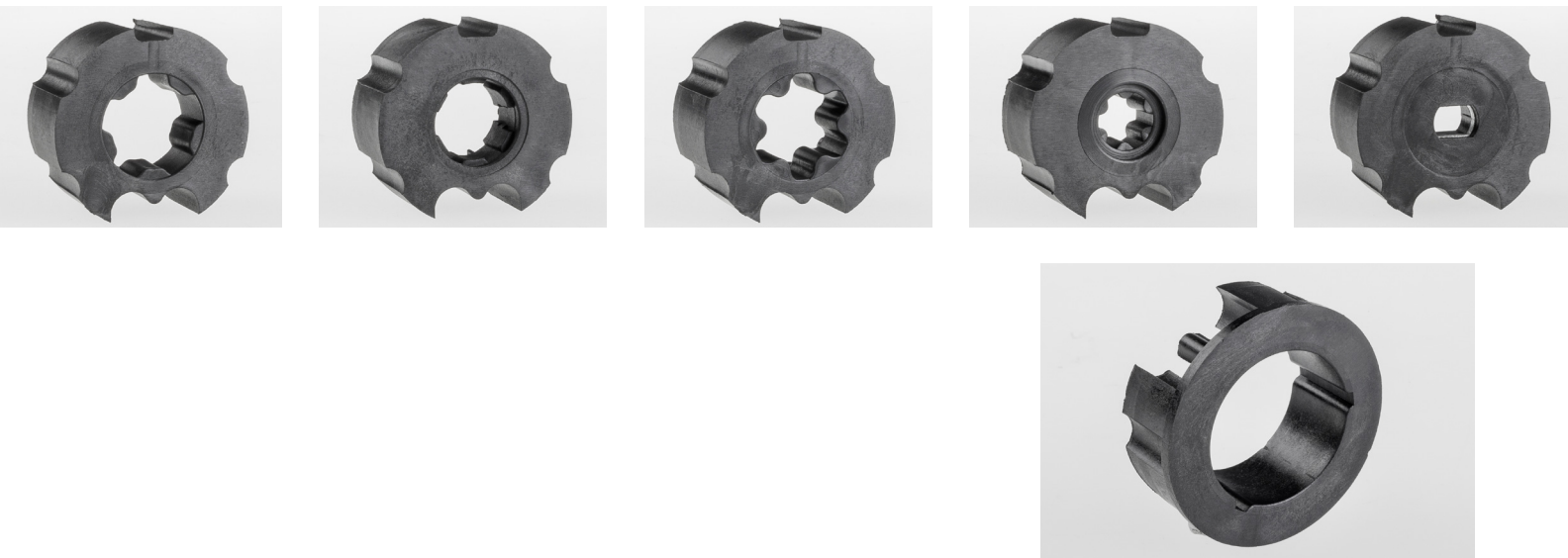
code	description	pack.
17.033	Cap with bearing & bushing Ø 70 hole Ø 14 single ogive	100
18.033	Cap with bearing & bushing Ø 78 hole Ø 14 single ogive	100
19.033	Cap with bearing & bushing Ø 85 hole Ø 14 single ogive	100

73.CB33	Cap with bearing & bushing Ø 73 hole Ø 14 single ogive	100
80.CB33	Cap with bearing & bushing Ø 80 hole Ø 14 single ogive	100
85.CB33	Cap with bearing & bushing Ø 85 hole Ø 14 single ogive	100

Double ogive reduction rings for motors

For the coupling of the Double Ogive Tubes with the most widespread engines, F.I.TE.SOL. made specific reduction rings for motor. Made of die-cast Nylon, provide high strength and durability thanks to the high thickness and the reinforcing ribs.

Tube diameter 73 mm – Motor diameter 45 mm



code	description	material	pack.
S-D45-T.D.73	Couple of reduction rings for motors Ø 45	NYLON	100
N-D45-T.D.73	Couple of reduction rings for motors Ø 45	NYLON	100
C-D45-T.D.73	Couple of reduction rings for motors Ø 45	NYLON	100
B-D45-T.D.73	Couple of reduction rings for motors Ø 45	NYLON	100
A-D45-T.D.73	Couple of reduction rings for motors Ø 45	NYLON	100

Double ogive reduction rings for motors



Tube diameter 80 mm – Motor diameter 45 mm



code	description	material	pack.
S-D45-T.D.80	Couple of reduction rings for motors Ø 45	NYLON	100
N-D45-T.D.80	Couple of reduction rings for motors Ø 45	NYLON	100
C-D45-T.D.80	Couple of reduction rings for motors Ø 45	NYLON	100
B-D45-T.D.80	Couple of reduction rings for motors Ø 45	NYLON	100
A-D45-T.D.80	Couple of reduction rings for motors Ø 45	NYLON	100

Tube diameter 80 mm – Motor diameter 59 mm



code	description	material	pack.
S-D59-T.D.80	Couple of reduction rings for motors Ø 59	NYLON	100
N-D59-T.D.80	Couple of reduction rings for motors Ø 59	NYLON	100
C-D59-T.D.80	Couple of reduction rings for motors Ø 59	NYLON	100
A-D59-T.D.80	Couple of reduction rings for motors Ø 59	NYLON	100

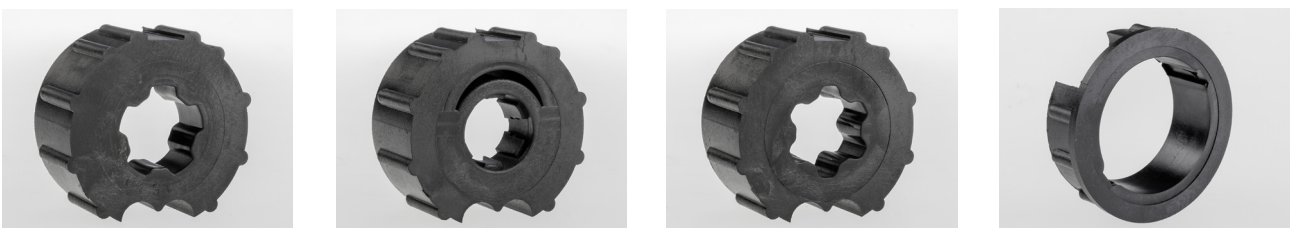
Double ogive reduction rings for motors

Tube diameter 85 mm – Motor diameter 45 mm



code	description	material	pack.
S-D45-T.D.85	Couple of reduction rings for motors Ø 45	NYLON	100
N-D45-T.D.85	Couple of reduction rings for motors Ø 45	NYLON	100
C-D45-T.D.85	Couple of reduction rings for motors Ø 45	NYLON	100
B-D45-T.D.85	Couple of reduction rings for motors Ø 45	NYLON	100
A-D45-T.D.85	Couple of reduction rings for motors Ø 45	NYLON	100

Tube diameter 85 mm – Motor diameter 59 mm



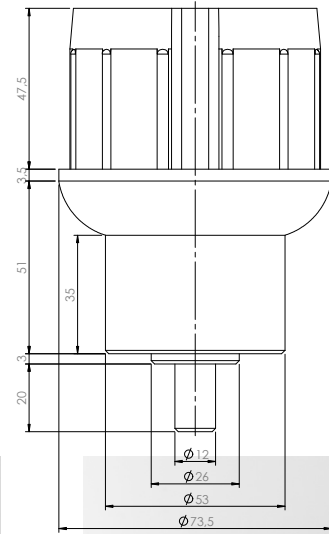
code	description	material	pack.
S-D59-T.D.85	Couple of reduction rings for motors Ø 59	NYLON	100
N-D59-T.D.85	Couple of reduction rings for motors Ø 59	NYLON	100
C-D59-T.D.85	Couple of reduction rings for motors Ø 59	NYLON	100

All rights are reserved.
Total or partial reproduction
or the communication to a third party
are not allowed unless authorized in written.

F.I.TE.SOL. srl
20060 Pozzo d'Adda (MI) – Via del Lavoro, 13
Tel. 02 90968573
www.fitesol.com – fitesol@fitesol.com

Double ogive zip caps

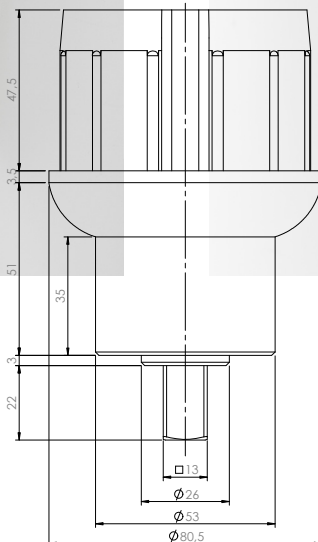
The caps are designed for winding ZIP model curtains, exclusively for use with double ogive winding tubes. They are made of nylon and thanks to the internal ribs and the high thickness of the material they are highly resistant.



Diameter 73 mm

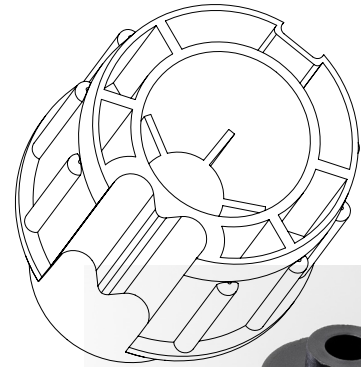


Diameter 80 mm



Double ogive zip caps

Diameter 85 mm



code	description	material	pivot	pack.
73.Z01	ZIP Caps Ø 73	NYLON	Ø 12 × 20 mm	50
73.Z22	ZIP Caps Ø 73	NYLON	□ 13 × 22 mm	50
73.Z33	ZIP Caps Ø 73	NYLON	hole Ø 14 mm	50

80.Z01	ZIP Caps Ø 80	NYLON	Ø 12 × 20 mm	50
80.Z22	ZIP Caps Ø 80	NYLON	□ 13 × 22 mm	50
80.Z33	ZIP Caps Ø 80	NYLON	hole Ø 14 mm	50

85.Z01	ZIP Caps Ø 85	NYLON	Ø 12 × 20 mm	50
85.Z22	ZIP Caps Ø 85	NYLON	□ 13 × 22 mm	50
85.Z33	ZIP Caps Ø 85	NYLON	hole Ø 14 mm	50

All rights are reserved.
Total or partial reproduction
or the communication to a third party
are not allowed unless authorized in written.

F.I.TE.SOL. srl
20060 Pozzo d'Adda (MI) – Via del Lavoro, 13
Tel. 02 90968573
www.fitesol.com – fitesol@fitesol.com

Diameter 73 mm



Diameter 80 mm



code	description	material	pivot	pack.
73.ZR01	Small ZIP caps Ø 73	NYLON	Ø 12 × 18 mm	50
73.ZR22	Small ZIP caps Ø 73	NYLON	□ 13 × 22 mm	50
73.ZR30	Small ZIP caps Ø 73	NYLON	hole Ø 14 mm	50

80.ZR01	Small ZIP caps Ø 80	NYLON	Ø 12 × 18 mm	50
80.ZR22	Small ZIP caps Ø 80	NYLON	□ 13 × 22 mm	50
80.ZR35	Small ZIP caps Ø 80	NYLON	hole Ø 14 mm	50

Double ogive zip caps

The nylon reducers for ZIP awnings are designed for coupling the F.I.TE.SOL. double ogive winding tubes and with the most widespread engines. The high thickness of the material and the internal ribs guarantee high resistance and durability over time.

Diameter 80.25 mm



code	description	material	pivot	pack.
80.Z01.25	Small ZIP caps Ø 80	NYLON	Ø 12 × 18 mm	50
80.Z22.25	Small ZIP caps Ø 80	NYLON	□ 13 × 22 mm	50
80.M20.25	Small ZIP caps Ø 80	NYLON		50

Double ogive zip reduction rings for motors

code	description	material	pack.
73.Z20 S	Couple of reduction rings ZIP Ø 73 for motor Ø 45	NYLON	50
73.Z20 N	Couple of reduction rings ZIP Ø 73 for motor Ø 45	NYLON	50
73.Z20 C	Couple of reduction rings ZIP Ø 73 for motor Ø 45	NYLON	50
73.Z20 B	Couple of reduction rings ZIP Ø 73 for motor Ø 45	NYLON	50
73.Z20 A	Couple of reduction rings ZIP Ø 73 for motor Ø 45	NYLON	50

80.Z20 S	Couple of reduction rings ZIP Ø 80 for motor Ø 45	NYLON	50
80.Z20 N	Couple of reduction rings ZIP Ø 80 for motor Ø 45	NYLON	50
80.Z20 C	Couple of reduction rings ZIP Ø 80 for motor Ø 45	NYLON	50
80.Z20 B	Couple of reduction rings ZIP Ø 80 for motor Ø 45	NYLON	50
80.Z20 A	Couple of reduction rings ZIP Ø 80 for motor Ø 45	NYLON	50

85.Z20 S	Couple of reduction rings ZIP Ø 85 for motor Ø 45	NYLON	50
85.Z20 N	Couple of reduction rings ZIP Ø 85 for motor Ø 45	NYLON	50
85.Z20 C	Couple of reduction rings ZIP Ø 85 for motor Ø 45	NYLON	50
85.Z20 B	Couple of reduction rings ZIP Ø 85 for motor Ø 45	NYLON	50
85.Z20 A	Couple of reduction rings ZIP Ø 85 for motor Ø 45	NYLON	50

All rights are reserved.
Total or partial reproduction
or the communication to a third party
are not allowed unless authorized in written.

F.I.TE.SOL. srl
20060 Pozzo d'Adda (MI) – Via del Lavoro, 13
Tel. 02 90968573
www.fitesol.com – fitesol@fitesol.com

Couple of reduction rings ZIP Ø 73 for motor Ø 45



Couple of reduction rings ZIP Ø 80 for motor Ø 45



Couple of reduction rings ZIP Ø 85 for motor Ø 45



code	description	material	pack.
73.T20 S	Reducer Ø 73 for motor Ø 45	NYLON	50
73.T20 N	Reducer Ø 73 for motor Ø 45	NYLON	50
73.T20 C	Reducer Ø 73 for motor Ø 45	NYLON	50
73.T20 B	Reducer Ø 73 for motor Ø 45	NYLON	50
73.T20 A	Reducer Ø 73 for motor Ø 45	NYLON	50
73.M20	Caps ZIP Ø 73 for motor Ø 45	NYLON	50
73.ZRM20	Small caps for ZIP model Ø 73 for motor Ø 45	NYLON	50

80.T20 S	Reducer Ø 80 for motor Ø 45	NYLON	50
80.T20 N	Reducer Ø 80 for motor Ø 45	NYLON	50
80.T20 C	Reducer Ø 80 for motor Ø 45	NYLON	50
80.T20 B	Reducer Ø 80 for motor Ø 45	NYLON	50
80.T20 A	Reducer Ø 80 for motor Ø 45	NYLON	50
80.M20	Caps ZIP Ø 80 for motor Ø 45	NYLON	50
80.ZRM20	Small caps for ZIP model Ø 80 for motor Ø 45	NYLON	50
80.M20.25	Caps ZIP Ø 80 for motor Ø 45	NYLON	50

85.T20 S	Reducer Ø 85 for motor Ø 45	NYLON	50
85.T20 N	Reducer Ø 85 for motor Ø 45	NYLON	50
85.T20 C	Reducer Ø 85 for motor Ø 45	NYLON	50
85.T20 B	Reducer Ø 85 for motor Ø 45	NYLON	50
85.T20 A	Reducer Ø 85 for motor Ø 45	NYLON	50
85.M20	Caps ZIP Ø 85 for motor Ø 45	NYLON	50

All rights are reserved.
Total or partial reproduction
or the communication to a third party
are not allowed unless authorized in written.

F.I.TE.SOL. srl
20060 Pozzo d'Adda (MI) – Via del Lavoro, 13
Tel. 02 90968573
www.fitesol.com – fitesol@fitesol.com

**Reducer Ø 73
for motor Ø 45**



**Reducer Ø 80
for motor Ø 45**



**Reducer Ø 85
for motor Ø 45**



All rights are reserved.
Total or partial reproduction
or the communication to a third party
are not allowed unless authorized in written.

F.I.TE.SOL. srl
20060 Pozzo d'Adda (MI) – Via del Lavoro, 13
Tel. 02 90968573
www.fitesol.com – fitesol@fitesol.com

Crank handles

F.I.TE.SOL. crank handles are made in different shapes, in hot dip galvanized Sendzimir steel Ø 14 mm tube and externally and painted in RAL colors with epoxy powders coating, with coordinate NYLON handles.

The blocking rings are specials, being realized by pressing the tube, which ensure more resistance and long time reliability than the commonly used process, which imply engraving and the use of Seeger rings.

The hook, in galvanized steel (standard) or stainless steel (on request), lathered and bended for a bigger precision and resistance, is fixed by pressure it is fixed by pressing on very deep millerays.



Available colours



White RAL 9010

Beige RAL 1013

Grey RAL 7035

Grey RAL 9006

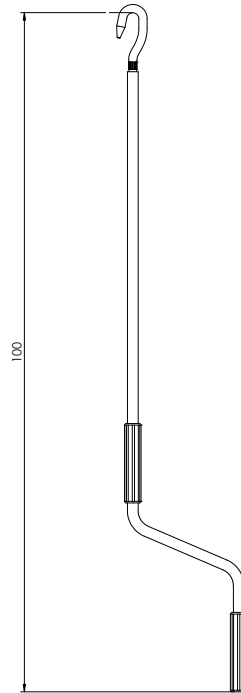
Brown RAL 8017

Black RAL 9005

Handles



Crank handles

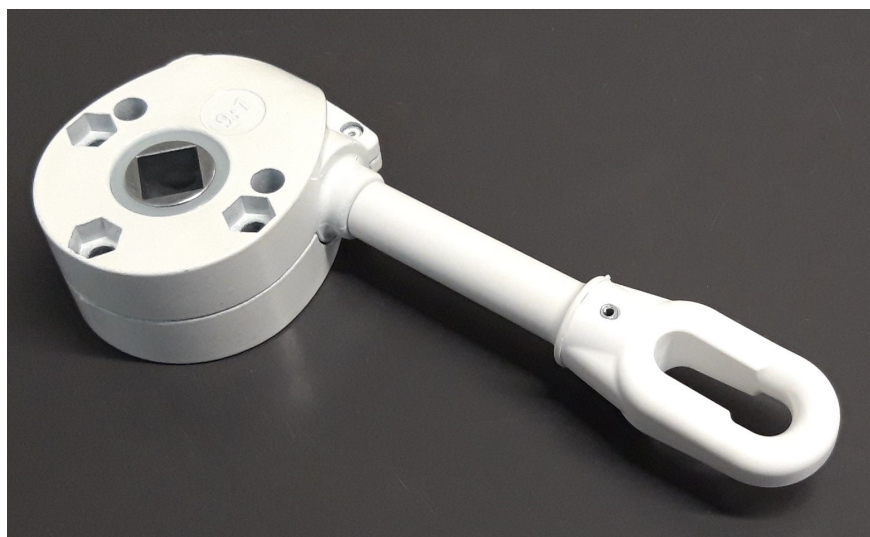
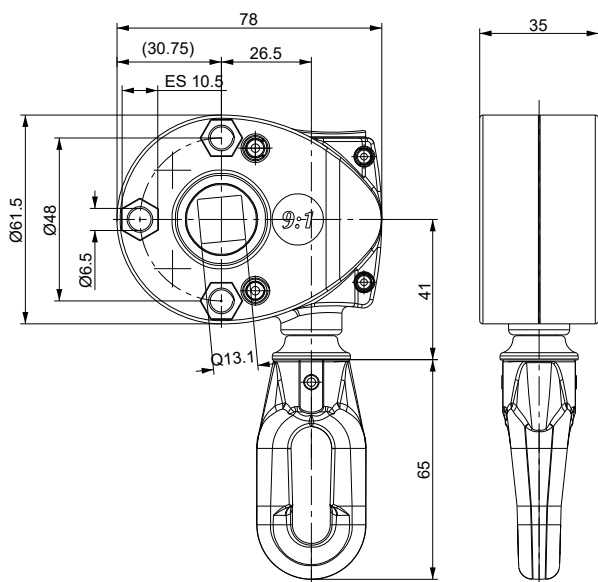


code	description	length in cm	pack.
34.100	Crank handle with hook in tube Ø 14	100	10
34.120	Crank handle with hook in tube Ø 14	120	10
34.135	Crank handle with hook in tube Ø 14	135	10
34.140	Crank handle with hook in tube Ø 14	140	10
34.150	Crank handle with hook in tube Ø 14	150	10
34.160	Crank handle with hook in tube Ø 14	160	10
34.170	Crank handle with hook in tube Ø 14	170	10
34.180	Crank handle with hook in tube Ø 14	180	10
34.200	Crank handle with hook in tube Ø 14	200	10
34.220	Crank handle with hook in tube Ø 14	220	10
34.250	Crank handle with hook in tube Ø 14	250	10
34.300	Crank handle with hook in tube Ø 14	300	10

All rights are reserved.
Total or partial reproduction
or the communication to a third party
are not allowed unless authorized in written.

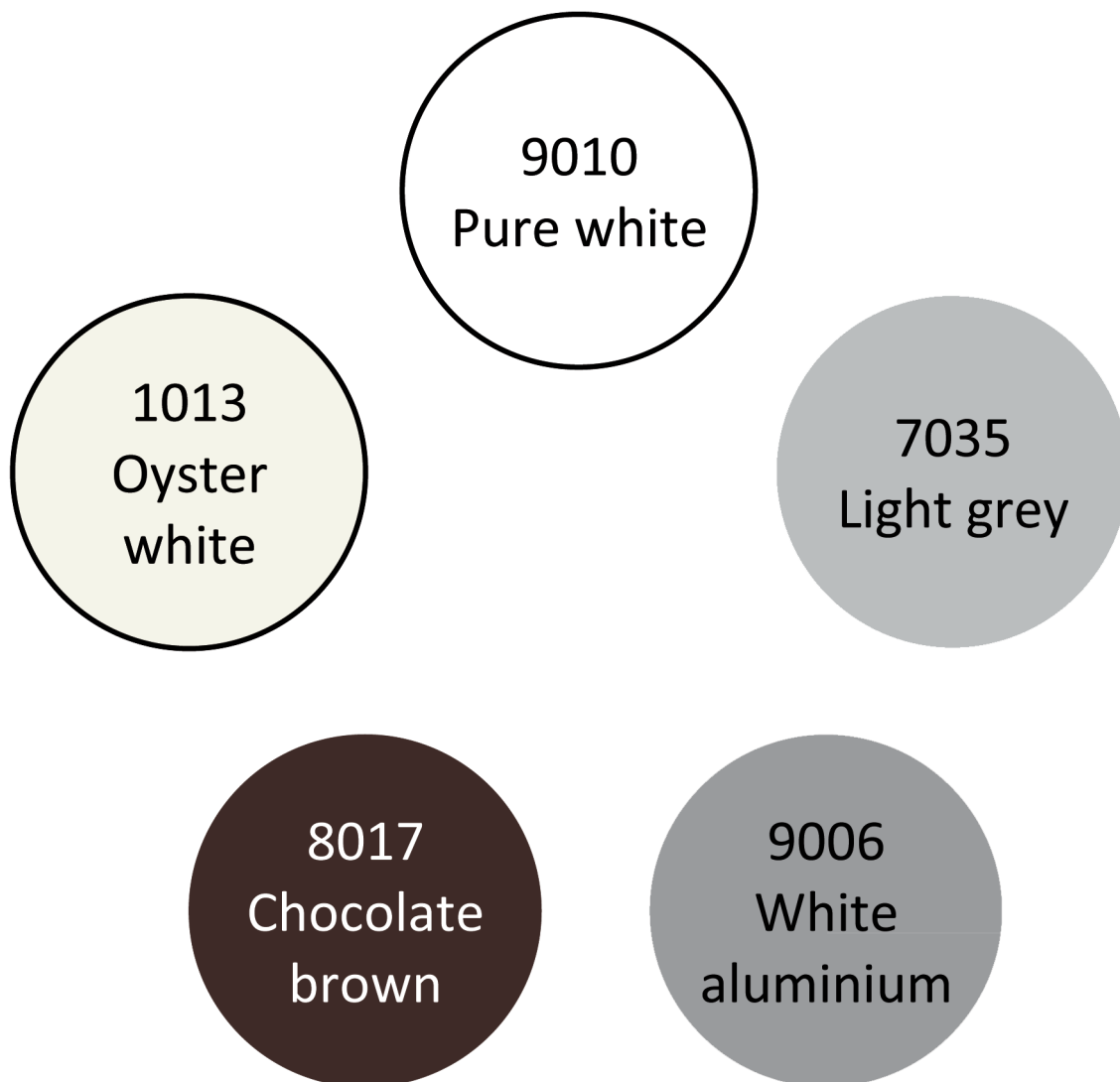
F.I.TE.SOL. srl
20060 Pozzo d'Adda (MI) – Via del Lavoro, 13
Tel. 02 90968573
www.fitesol.com – fitesol@fitesol.com

Winches



Winches

Available in RAL colors



Worm gear reducer, 9:1 ratio

code	description	shaft length mm	pack.
SI-1036-G.C	Bevel gear short stem	80	25
SI-1037-G.M	Bevel gear medium stem	120	25
SI-1038-G.L	Bevel gear long stem	130	25

Accessories for canopies and free-hanging awnings

F.I.TE.SOL. accessories for canopies and free-hanging awnings are made in Italy with higher quality galvanized steel and are very strong and precise. They are available in galvanized steel or galvanized and painted in RAL colors with epoxy powders coating.

White RAL 9010

Beige RAL 1013

Galvanized

Grey RAL 7035



Accessories for canopies

Brackets for canopies kit



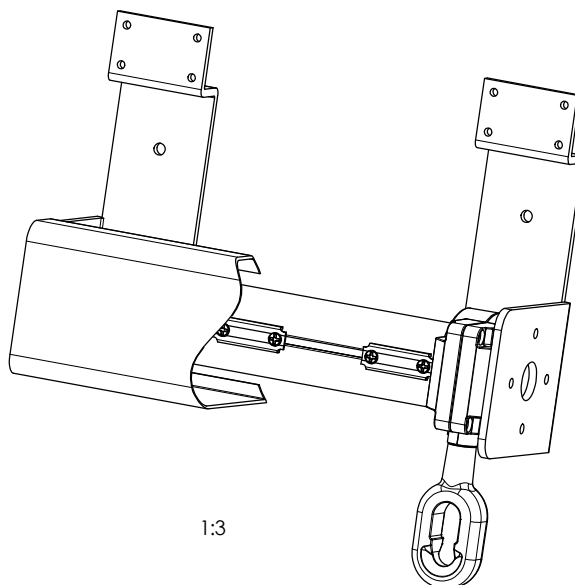
code	description	pack.
11.006	Brackets for canopies kit	-

All rights are reserved.
Total or partial reproduction
or the communication to a third party
are not allowed unless authorized in written.

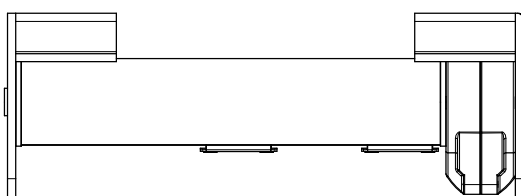
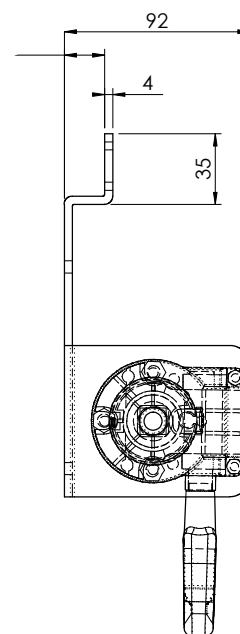
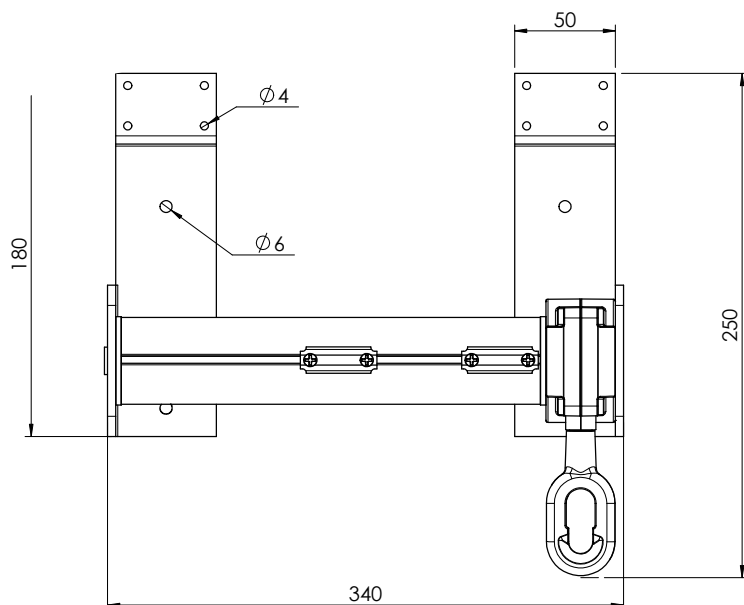
F.I.TE.SOL. srl
20060 Pozzo d'Adda (MI) – Via del Lavoro, 13
Tel. 02 90968573
www.fitesol.com – fitesol@fitesol.com

Accessories for canopies

Complete bevel gear
for canopies



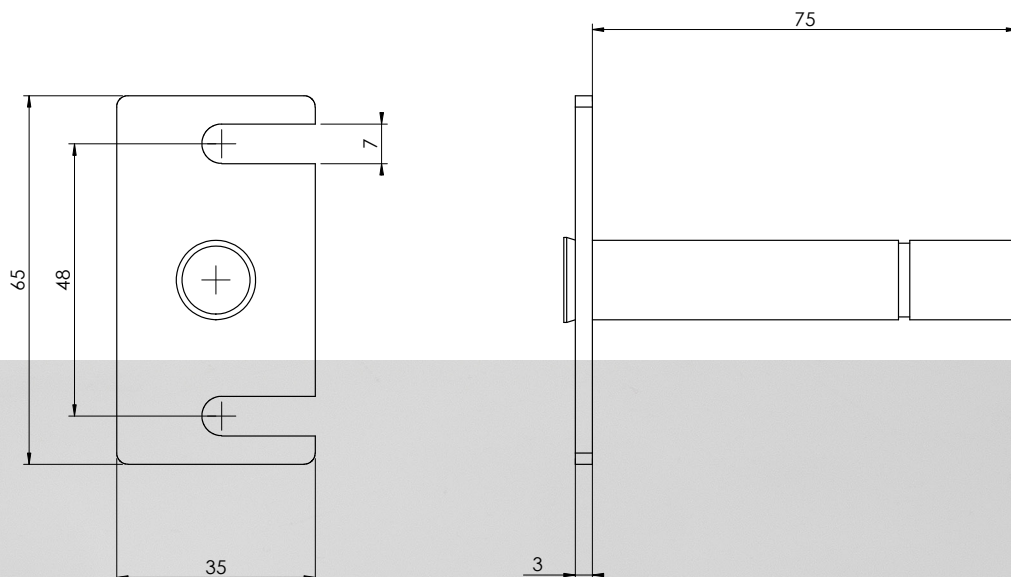
1:3



code	description	pack.
11.007	Galvanized and coated kit, bevel gear included	10
11.008	Bevel gear complete kit with painted box	10

Accessories for free-hanging awnings

Plate with pin



code	description	pack.
21.014	Plate with pin Ø 14 mm	100

Accessories for free-hanging awnings

Plate with removable pin



Round pin plate



Square pin plate



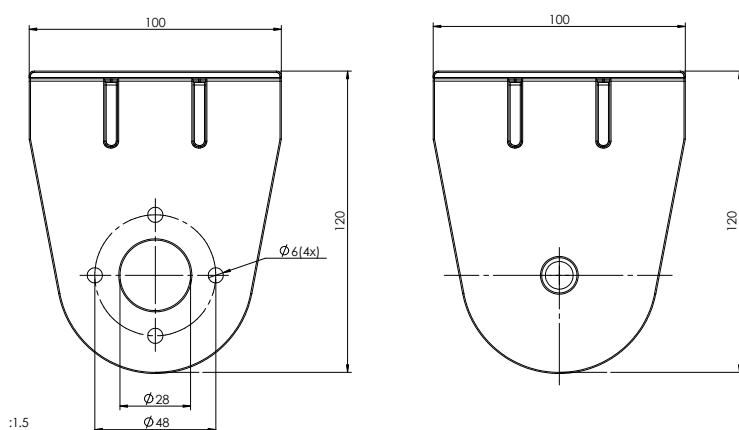
Bracket with removable bearing



code	description	pack.
21.018	Plate with Ø 14 mm removable pin	100
21.019	Round Ø 14 mm pin plate	100
21.020	Square Ø 14 mm pin plate	100
21.028	Bracket with removable Ø 12 mm bearing	100

Accessories for free-hanging awnings

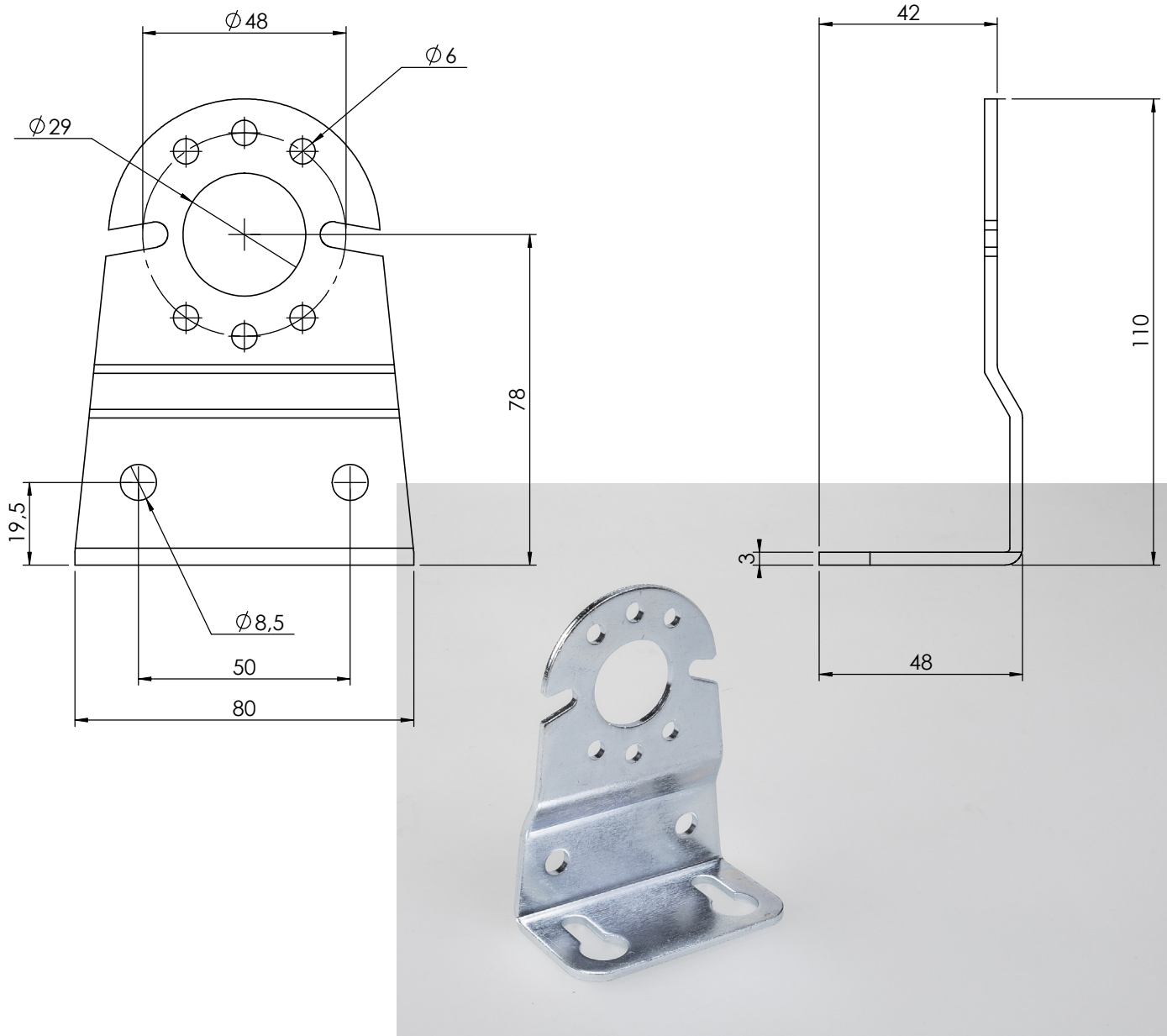
Pair of 90° bracket supports



code	description	pack.
21.002	Galvanized steel brackets	50
21.003	Coated steel brackets RAL 9010	50
21.004	Coated steel brackets RAL 7035	50
21.005	Coated steel brackets RAL 1013	50

Accessories for free-hanging awnings

Small wall-ceiling bracket



code	description	pack.
21.006	Small galvanized steel wall-ceiling bracket	–
21.001	Small painted steel wall-ceiling bracket	–

Clearing springs

F.I.TE.SOL. spring reliefs are made in Italy with quality hardened steel. The spring is mounted on an internally and externally galvanized and powder coated steel rod.

Technical data

- Preload: approximately three turns
- Max number of turns 21.
- Adaptable for right side mount or left.
- Galvanized iron rod, burnished steel spring.
- Driving cap, idler wheel cap and bushes in loaded nylon.



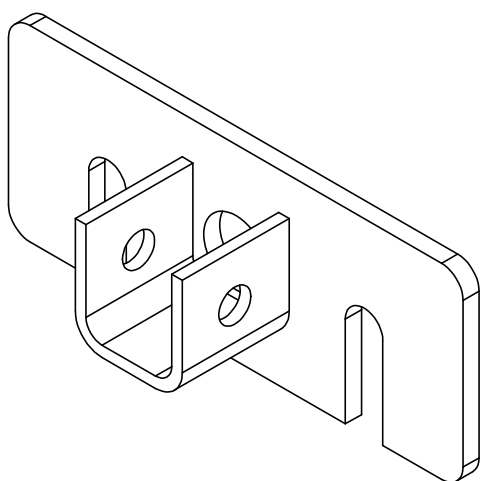
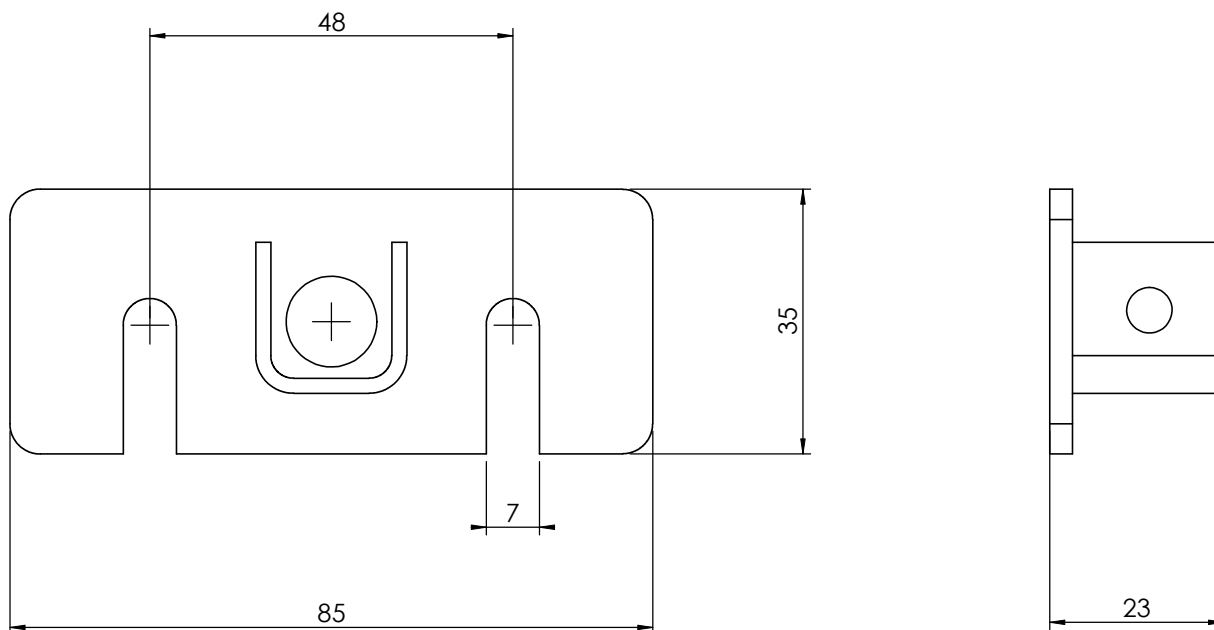
code	description	length	pack.
15.001	Wire spring Ø 2 mm for tube Ø 43 mm	50 cm	5
15.002	Wire spring Ø 2 mm for tube Ø 43 mm	90 cm	5

16.001	Wire spring Ø 2,5 mm for tube Ø 60 mm	50 cm	5
16.002	Wire spring Ø 3 mm for tube Ø 60 mm	70 cm	5
16.003	Wire spring Ø 3 mm for tube Ø 60 mm	90 cm	5
16.004	Wire spring Ø 3 mm for tube Ø 60 mm	140 cm	5

17.001	Wire spring Ø 2,5 mm for tube Ø 70 mm	50 cm	5
17.002	Wire spring Ø 3 mm for tube Ø 70 mm	70 cm	5
17.003	Wire spring Ø 3 mm for tube Ø 70 mm	90 cm	5
17.004	Wire spring Ø 3 mm for tube Ø 70 mm	140 cm	5

Clearing springs

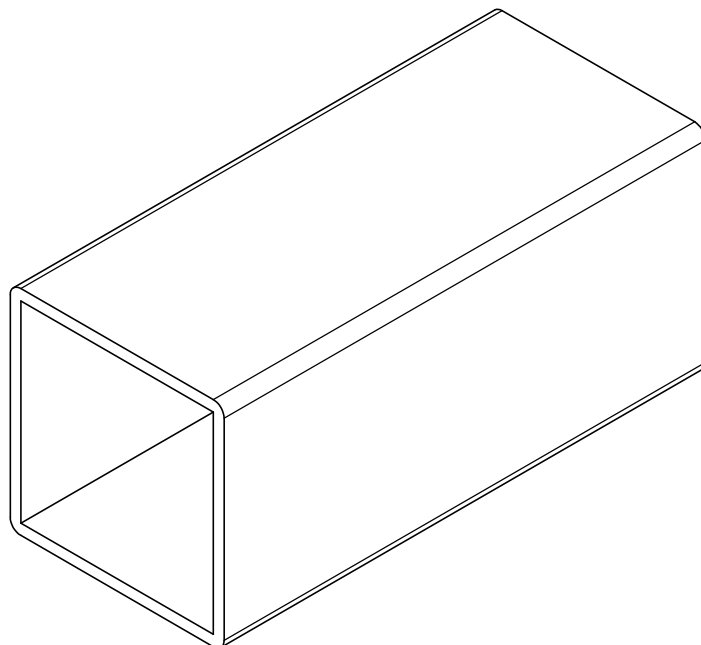
Spring relief support



code	description	pack.
22.000	Spring relief support	-

Square bars

The F.I.TE.SOL. square bars are made of galvanized steel both internally and externally. The bars are coated with epoxy powders in RAL colours.



code	description	measure	pack.
23 ...	Galvanized Sendzimir square bar	40 × 40 × 1,5 mm	50
24 ...	Galvanized Sendzimir square bar	40 × 40 × 2 mm	50
26 ...	Galvanized and painted Sendzimir square bar	40 × 40 × 2 mm	50
27 ...	Galvanized Sendzimir square bar	35 × 35 × 2 mm	50
32 ...	Galvanized and painted Sendzimir square bar	40 × 40 × 1,5 mm	50
19.035	Joints for square bar mm 35	–	50

Catalogo 2024

All rights are reserved. The reproduction and the communications to a third party (even if partial) of information of the present catalogue is not allowed unless authorized in written by F.I.TE.SOL. srl. This catalogue content are for information only. F.I.TE.SOL. srl reserve the right to modify in any moment and without notice the characteristics of the products here described.



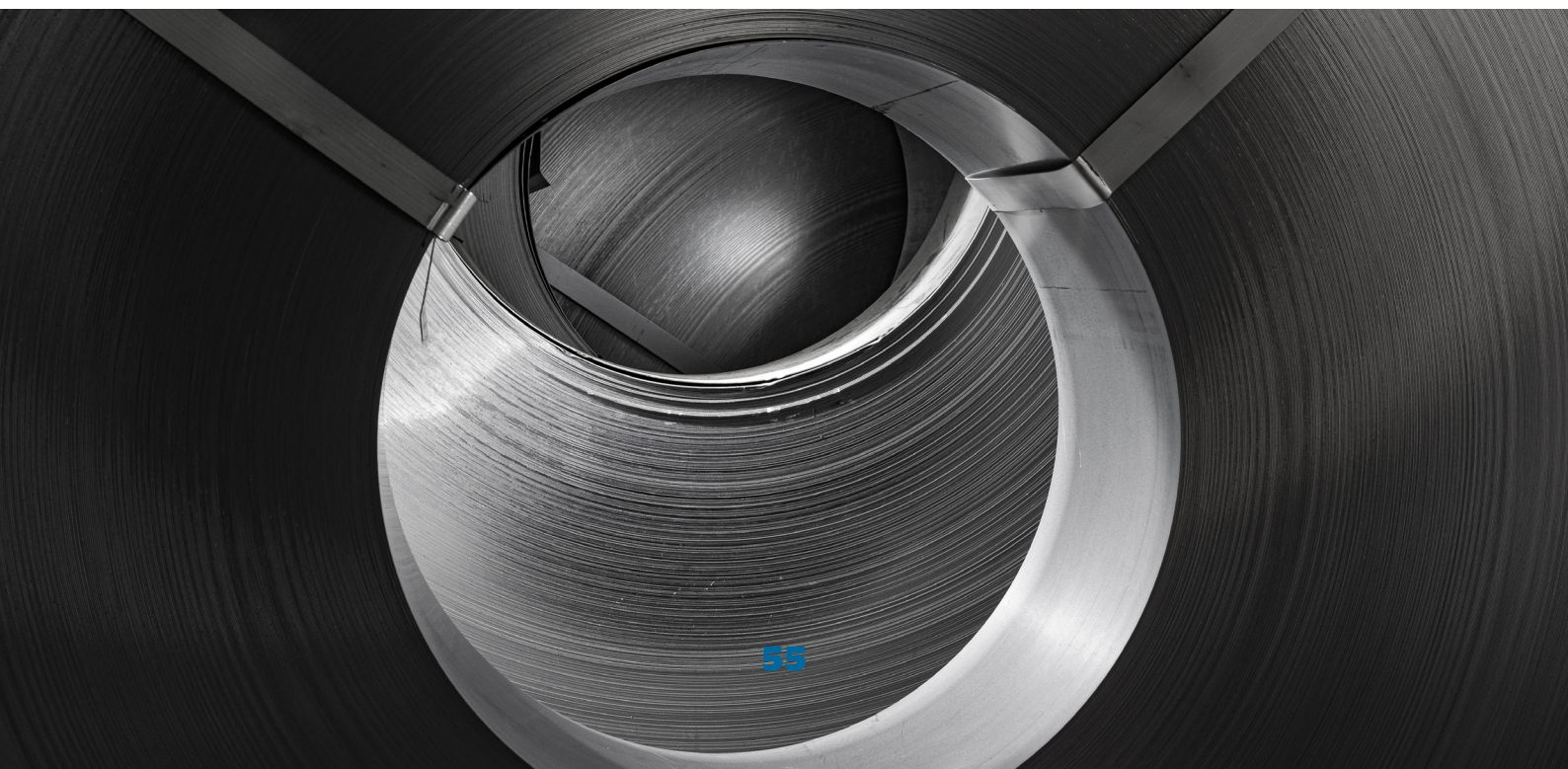
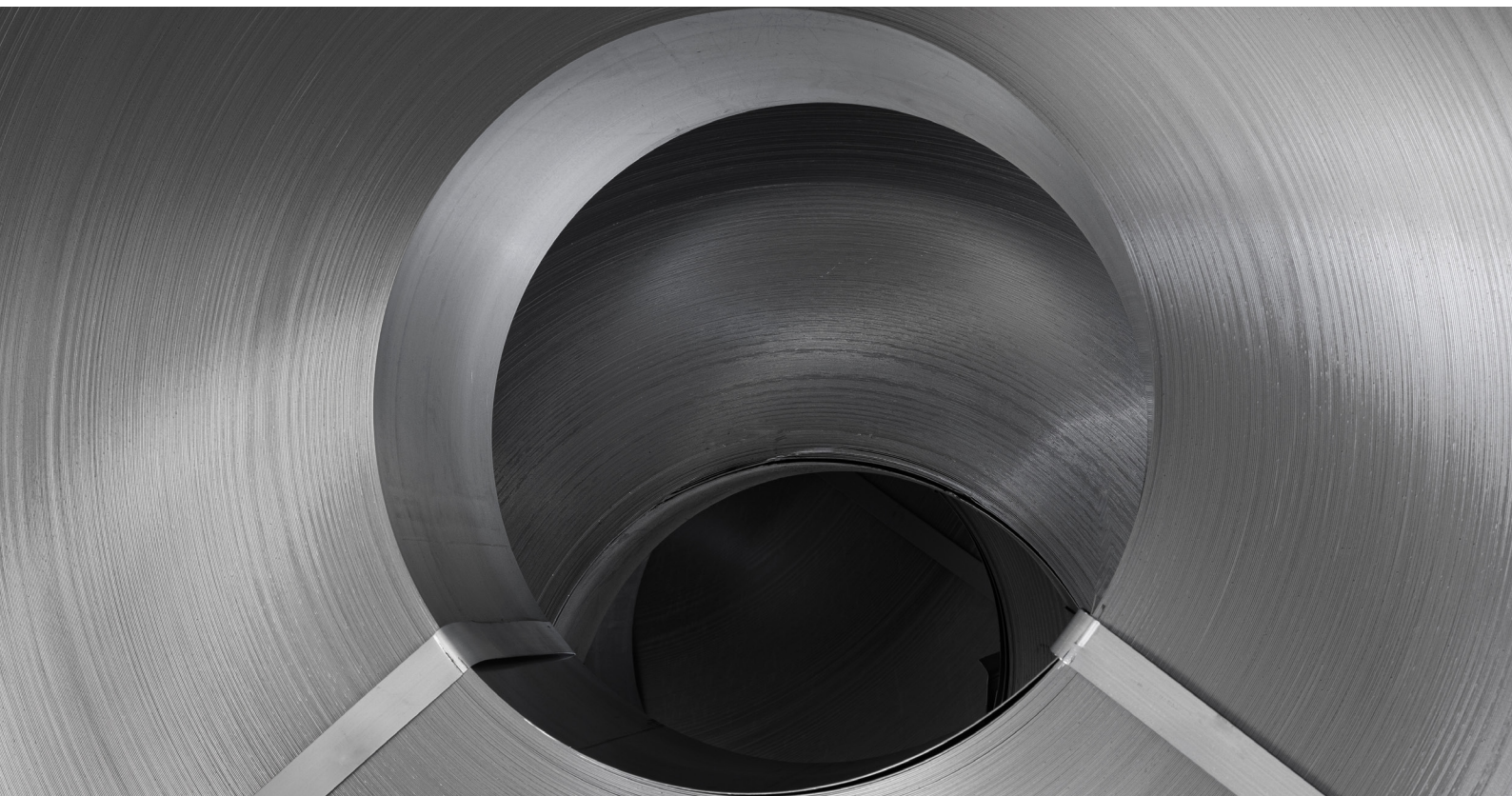
Forniture Industriali per Tende da Sole

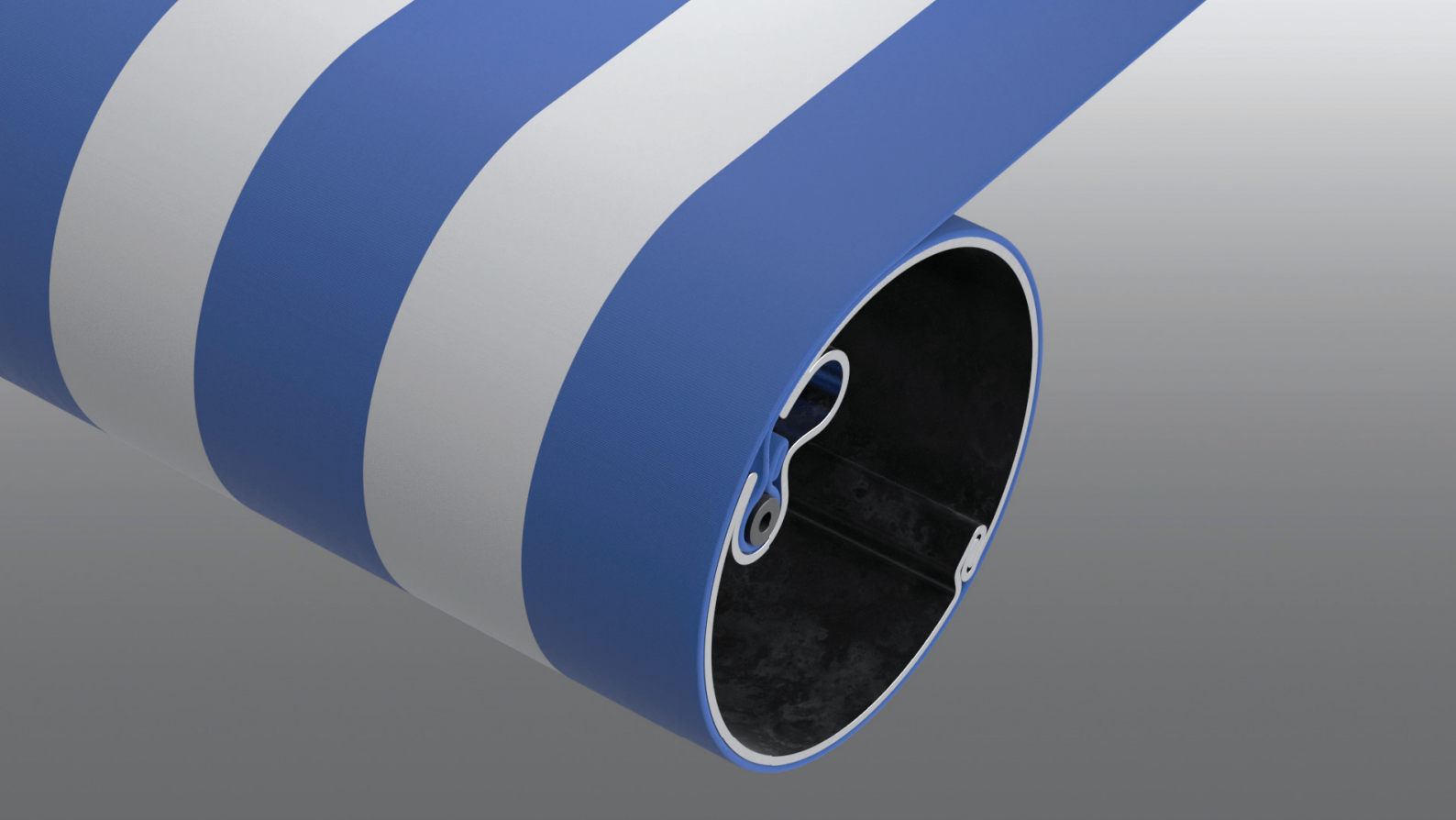
F.I.TE.SOL. srl

20060 Pozzo d'Adda (MI) – Via del Lavoro, 13

Tel. 02 90968573

www.fitesol.com – fitesol@fitesol.com





No creases. Perfection.

www.fitesol.com